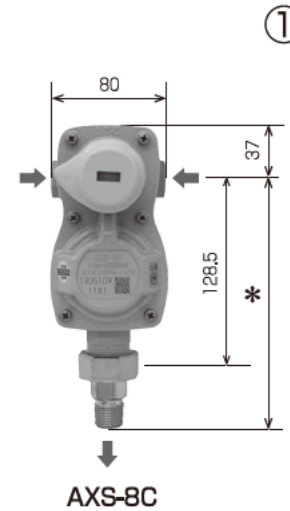


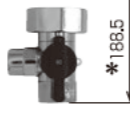



# 8kg/h Double Stage Automatic Changeover Regulators

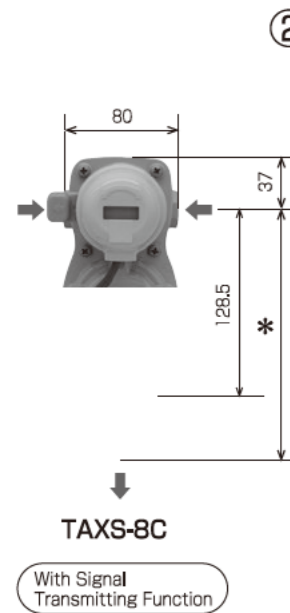
Model Reference Guide  
**AXS-8C**  
**TAXS-8C**  
 Model Code





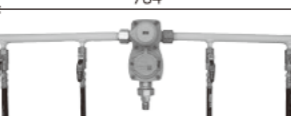
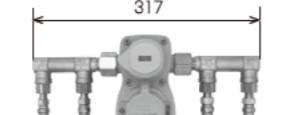
①

Outlet Connection		Inlet Connection		HP Hose Connector	
Code	Hose Assembled		Cylinder Mounted		
	R1/2 Union		Rc1/2 or M35x2		
<b>BN</b>	MB-40CU By Nippou corp. Rc1/2 Gas Ball Valve with Inspection Port				
<b>BG</b>	G73PZU By KOYO SANGYO Co.,Ltd. Rc1/2 Gas Ball Valve with Inspection Port				

\*Connectors provided with kit, not assembled.





②

Inlet Connection		Accs.		Cylinder Mounted		Accs.	
Code	Hose Assembled						
			JIS POL Inc. 1 Hose(L:600mm)			N/A	
<b>2</b>	JIS POL-2 cyls. Kit Inc. 2 Hoses(L:600mm)						
<b>4</b>	JIS POL-4 cyls. Kit Inc. 4 Hoses(L:600mm), Manifolds						
<b>4J</b>	JIS POL-4 cyls. Kit Inc. 2 Hoses(L:600mm), 2 Hoses(L:1000mm), Manifolds (Compact Model)						

\*Hoses provided with kit, not assembled.

③

Code	H	S	TH	TS
High Pressure Hose Connector	Handwheel	Mechanical	Handwheel Inc. Tensile Trigger Shut-Off Valve	Mechanical Inc. Tensile Trigger Shut-Off Valve
				

## Range Specification

Capacity(Propane)	8kg/h
Inlet Pressure	0.15~1.56MPa
Outlet Pressure	2.55~3.30kPa
Lockup Pressure	≤ 3.50kPa
Safety Relief Valve Working Pressure	5.60~8.40kPa
Starting Pressure of Replenishment	0.07 ≤ P < 0.15MPa

## Accessories



Bracket×2  
 15A U-bolt×2  
 M5 Butterfly Nut×4  
 M5 Flat Washer×4  
 Tapping Screw×4

## Model Reference Guide

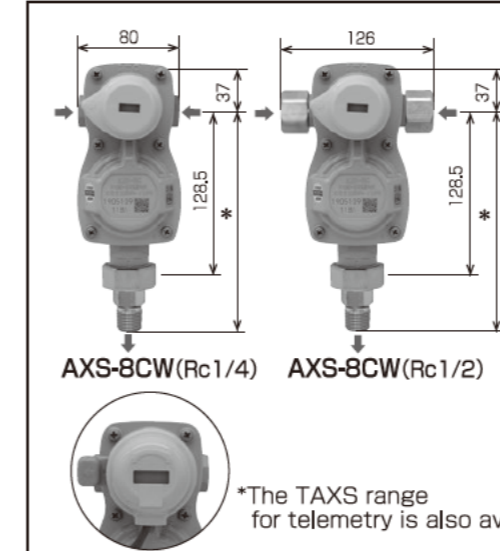
\*If the specification you require is not offered in the table below, contact our local branch or agency.

Hose Assembled	
Model	
AXS-8C-2H, AXS-8C-2S, AXS-8C-2TH, AXS-8C-2TS	
AXS-8C-4H, AXS-8C-4S, AXS-8C-4TH, AXS-8C-4TS	
AXS-8C-4JH, AXS-8C-4JS, AXS-8C-4JTH, AXS-8C-4JTS	
AXS-8CBN-2H, AXS-8CBN-2S, AXS-8CBN-2TH, AXS-8CBN-2TS	
AXS-8CBN-4H, AXS-8CBN-4S, AXS-8CBN-4TH, AXS-8CBN-4TS	
AXS-8CBN-4JH, AXS-8CBN-4JS, AXS-8CBN-4JTH, AXS-8CBN-4JTS	
AXS-8CBG-2H, AXS-8CBG-2S, AXS-8CBG-2TH, AXS-8CBG-2TS	
AXS-8CBG-4H, AXS-8CBG-4S, AXS-8CBG-4TH, AXS-8CBG-4TS	
AXS-8CBG-4JH, AXS-8CBG-4JS, AXS-8CBG-4JTH, AXS-8CBG-4JTS	

\*The TAXS range for telemetry is also available.  
 \*Hoses provided with kit, not assembled.

Cylinder Mounted	
Model	
AXS-8C-H, AXS-8C-S, AXS-8C-TH, AXS-8C-TS	

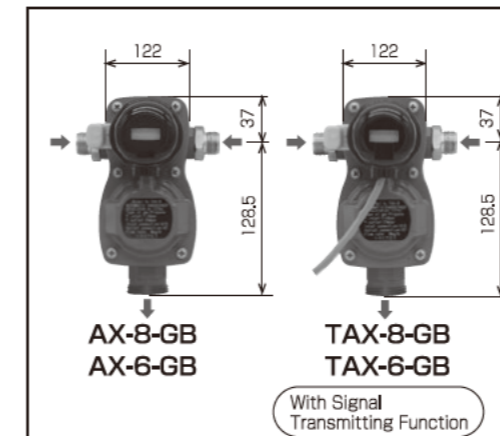
\*Signal transmitting function is not available.  
 \*Hoses provided with kit, not assembled.



## Specifications

Model	AXS-8CW(Rc1/4)	AXS-8CW(Rc1/2)
(With Signal Transmitting Function)	TAXS-8CW(Rc1/4)	TAXS-8CW(Rc1/2)
Capacity(Propane)	8kg/h	
Inlet Pressure	0.10~1.56MPa	
Outlet Pressure	2.55~3.30kPa	
Lockup Pressure	≤ 3.50kPa	
Safety Relief Valve Working Pressure	5.60~8.40kPa	
Inlet Connection	Rc1/4	Rc1/2
Outlet Connection	R1/2 Union	
Starting Pressure of Replenishment	<0.10MPa	

\*The TAXS range for telemetry is also available.



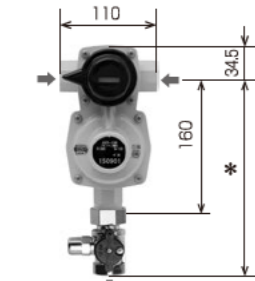
## Specifications

Model	AX-8-GB	AX-6-GB
(With Signal Transmitting Function)	TAX-8-GB	TAX-6-GB
Capacity(Propane)	8kg/h	6kg/h
Inlet Pressure	0.10~1.60MPa	
Outlet Pressure	2.70kPa~4.50kPa	
Lockup Pressure	≤ 5.00kPa	
Safety Relief Valve Working Pressure	7.40~15.0kPa	
Inlet Connection	M20×1.5	
Outlet Connection	Rp1/2	
Starting Pressure of Replenishment	≥ 50.0kPa	

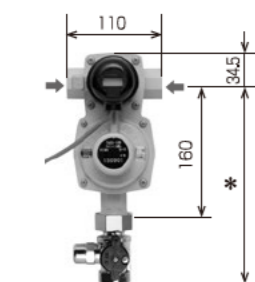
# 10kg/h Double Stage Automatic Changeover Regulators

## Model Reference Guide

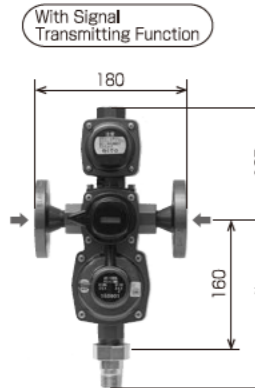
**AXS-10B**  
**TAXS-10B**  
**AX-10BHL**  
**TAX-10BHL**  
 Model Code



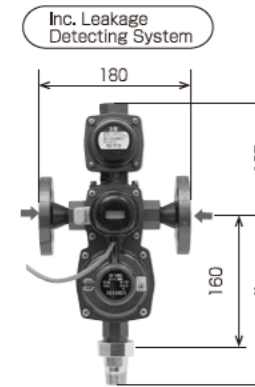
**AXS-10B**



**TAXS-10B**



**AX-10BHL**



**TAX-10BHL**



Code	Inlet Connection			
	(T)AXS-10B	Accs.	(T)AX-10BHL	Accs.
Without Flange	Rc 1/2	N/A	JIS20K 15A Flange	(A)
F	JIS20K 15A Flange	(A)	Rc 1/2	N/A
2	JIS POL-2 cyls. Kit Inc. 2 Hoses (L:600mm)	(A)		N/A
4	JIS POL-4 cyls. Kit Inc. 4 Hoses (L:600mm), Manifolds			(B)
4J	JIS POL-4 cyls. Kit Inc. 2 Hoses (L:600mm), 2 Hoses (L:1000mm), Manifolds (Compact Model)			(B)
6	JIS POL-6 cyls. Kit Inc. 4 Hoses (L:600mm), 2 Hoses (L:1000mm), Manifolds			(C)
6J	JIS POL-6 cyls. Kit Inc. 2 Hoses (L:600mm), 4 Hoses (L:1000mm), Manifolds (Compact Model)			(B)

\*Hoses provided with kit, not assembled.

Code	High Pressure Hose Connector
H	Handwheel
S	Mechanical
TH	Handwheel Inc. Tensile Trigger Shut-Off Valve
TS	Mechanical Inc. Tensile Trigger Shut-Off Valve

Code	Outlet Connection
(T)AXS-10B	
	MB-60CU Rc 3/4 Gas Ball Valve with Inspection Port
With Union	R3/4 Union
(T)AX-10BHL	
	R3/4 Union

\*The outlet connector of (T)AXS-10B provided with kit, not assembled.

## Range Specification

Capacity(Propane)	10kg/h
Inlet Pressure	0.10~1.56MPa
Outlet Pressure	2.55~3.30kPa
Lockup Pressure	≤3.50kPa
Safety Relief Valve Working Pressure	5.60~8.40kPa
Starting Pressure of Replenishment	<0.10MPa

## Accessories

(A)	(B)	(C)
15A Flange Gasket×2	Bracket×2 15A U-Bolt×2 M5 Butterfly Nut×4 M5 Flat Washer×4 Tapping Screw×4	Bracket×4 15A U-Bolt×4 M5 Butterfly Nut×8 M5 Flat Washer×8 Tapping Screw×8

## Model Reference Guide

\*If the specification you require is not offered in the table below, contact our local branch or agency.

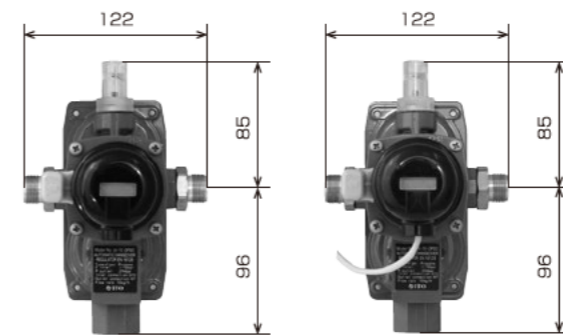
ACO without Leakage Detecting System	
Model	
AXS-10B	
AXS-10B(with Union)	
AXS-10BF	
AXS-10BF(without Flange)	
AXS-10B-2H, AXS-10B-2S, AXS-10B-2TH, AXS-10B-2TS	
AXS-10B-4H, AXS-10B-4S, AXS-10B-4TH, AXS-10B-4TS	
AXS-10B-6H, AXS-10B-6S, AXS-10B-6TH, AXS-10B-6TS	
AXS-10B-4JH, AXS-10B-4JS, AXS-10B-4JTH, AXS-10B-4JTS	
AXS-10B-6JH, AXS-10B-6JS, AXS-10B-6JTH, AXS-10B-6JTS	

\*The TAXS range for telemetry is also available.

ACO Incorporating Leakage Detecting System	
Model	
AXS-10BHL	
AXS-10BHL(without Flange)	
AXS-10BHL-2H, AXS-10BHL-2S, AXS-10BHL-2TH, AXS-10BHL-2TS	
AXS-10BHL-4H, AXS-10BHL-4S, AXS-10BHL-4TH, AXS-10BHL-4TS	
AXS-10BHL-6H, AXS-10BHL-6S, AXS-10BHL-6TH, AXS-10BHL-6TS	
AXS-10BHL-4JH, AXS-10BHL-4JS, AXS-10BHL-4JTH, AXS-10BHL-4JTS	
AXS-10BHL-6JH, AXS-10BHL-6JS, AXS-10BHL-6JTH, AXS-10BHL-6JTS	

\*The TAXS range for telemetry is also available.

\*See page 97 regarding gas flow recorders.



**AX-10-OPSO**

**TAX-10-OPSO**

With Signal Transmitting Function

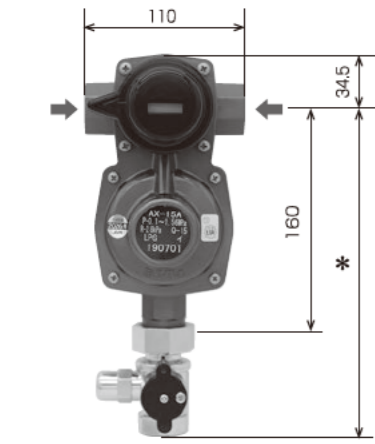
## Specifications

Capacity(Propane)	10kg/h
Inlet Pressure	0.10~1.60MPa
Outlet Pressure	2.70~4.50kPa
Lockup Pressure	≤5.00kPa
Safety Relief Valve Working Pressure	7.40~8.90kPa
OPSO Working Pressure	9.00~11.0kPa
Working Pressure of Replenishment	≥50.0kPa

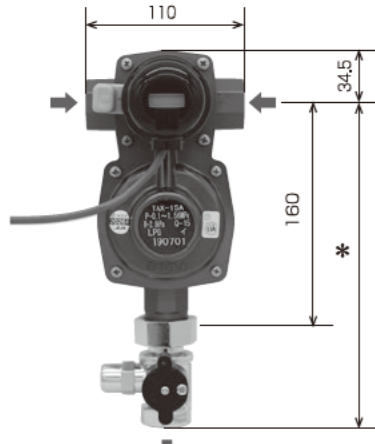
# 15kg/h Double Stage Automatic Changeover Regulators

## Model Reference Guide

**AX-15A**  
**TAX-15A**  
Model Code



AX-15A



TAX-15A

With Signal Transmitting Function

Code	Inlet Connection	Accs.
Rc1/2		N/A
F	JIS20K 15A Flange 	(A)
4	JIS POL-4 cyls. Kit Inc. 4 Hoses (L:600mm), Manifolds 	(B)
4J	JIS POL-4 cyls. Kit Inc. 2 Hoses (L:600mm), 2 Hoses (L:1000mm), Manifolds (Compact Model) 	(B)
6	JIS POL-6 cyls. Kit Inc. 4 Hoses (L:600mm), 2 Hoses (L:1000mm), Manifolds 	(C)
6J	JIS POL-6 cyls. Kit Inc. 2 Hoses (L:600mm), 4 Hoses (L:1000mm), Manifolds (Compact Model) 	(B)

\*Hoses provided with kit, not assembled.

Code	High Pressure Hose Connector
H	Handwheel
S	Mechanical
TH	Handwheel Inc. Tensile Trigger Shut-Off Valve
TS	Mechanical Inc. Tensile Trigger Shut-Off Valve

Code	Outlet Connection
MB-60CU	Rc3/4 Gas Ball Valve with Inspection Port 
With Union	R3/4 Union 

\*Connectors provided with kit, not assembled.

## Range Specification

Capacity (Propane)	15kg/h
Inlet Pressure	0.10~1.56MPa
Outlet Pressure	2.55~3.30kPa
Lockup Pressure	≤ 3.50kPa
Safety Relief Valve Working Pressure	5.60~8.40kPa
Replenishment of Starting Pressure	< 0.10MPa

## Accessories

(A)	(B)	(C)
15A Flange Gasket×2	Bracket×2 15A U-Bolt×2 M5 Butterfly Nut×4 M5 Flat Washer×4 Tapping Screw×4	Bracket×4 15A U-Bolt×4 M5 Butterfly Nut×8 M5 Flat Washer×8 Tapping Screw×8

## Model Reference Guide

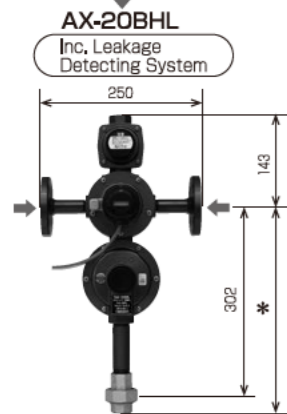
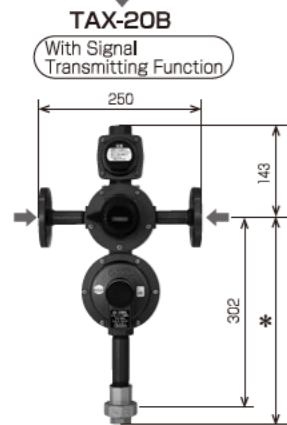
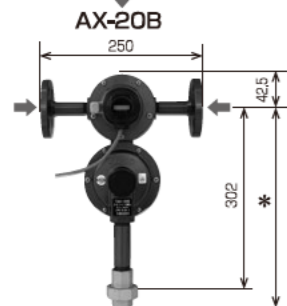
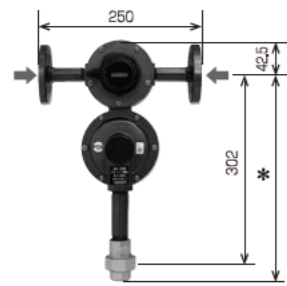
\*If the specification you require is not offered in the table below, contact our local branch or agency.

ACO without Signal Transmitting Function	ACO with Signal Transmitting Function
Model	Model
AX-15A	TAX-15A
AX-15A (with Union)	TAX-15A (with Union)
AX-15AF	TAX-15AF
AX-15AF (with Union)	TAX-15AF (with Union)
AX-15A-4H	TAX-15A-4H
AX-15A-4S	TAX-15A-4S
AX-15A-4TH	TAX-15A-4TH
AX-15A-4TS	TAX-15A-4TS
AX-15A-6H	TAX-15A-6H
AX-15A-6S	TAX-15A-6S
AX-15A-6TH	TAX-15A-6TH
AX-15A-6TS	TAX-15A-6TS
AX-15A-4JH	TAX-15A-4JH
AX-15A-4JS	TAX-15A-4JS
AX-15A-4JTH	TAX-15A-4JTH
AX-15A-4JTS	TAX-15A-4JTS
AX-15A-6JH	TAX-15A-6JH
AX-15A-6JS	TAX-15A-6JS
AX-15A-6JTH	TAX-15A-6JTH
AX-15A-6JTS	TAX-15A-6JTS

# 20kg/h Double Stage Automatic Changeover Regulators

## Model Reference Guide

AX-20B  
TAX-20B  
AX-20BHL  
TAX-20BHL  
Model Code



Code	Inlet Connection	Accs.
Without Flange	JIS20K15A Flange	(A)
	Rc1/2	N/A
4	JIS POL- 4 cyls. Kit Inc. 4 Hoses (L:600mm), Manifolds	(B)
4J	JIS POL- 4 cyls. Kit Inc. 2 Hoses (L:600mm), 2 Hoses (L:1000mm), Manifolds (Compact Model)	(B)
6	JIS POL- 6 cyls. Kit Inc. 4 Hoses (L:600mm), 2 Hoses (L:1000mm), Manifolds	(C)
6J	JIS POL- 6 cyls. Kit Inc. 2 Hoses (L:600mm), 4 Hoses (L:1000mm), Manifolds (Compact Model)	(B)

\*Hoses provided with kit, not assembled.

Code	High Pressure Hose Connector
H	Handwheel
S	Mechanical
TH	Handwheel Inc. Tensile Trigger Shut-Off Valve
TS	Mechanical Inc. Tensile Trigger Shut-Off Valve

Code	Outlet Connection
With BV	Rc 3/4 Union
	MB-60CU Rc3/4 Ball Valve for Union

\*MB-60CU provided with kit, not assembled.

## Range Specification

Capacity(Propane)	20kg/h
Inlet Pressure	0.10~1.56MPa
Outlet Pressure	2.55~3.30kPa
Lockup Pressure	≤ 3.50kPa
Safety Relief Valve Working Pressure	5.60~8.40kPa
Replenishment of Starting Pressure	< 0.10MPa

## Accessories

(A)	(B)	(C)
15A Flange Gasket×2	Bracket×2 15A U-Bolt×2 M5 Butterfly Nut×4 M5 Flat Washer×4 Tapping Screw×4	Bracket×4 15A U-Bolt×4 M5 Butterfly Nut×8 M5 Flat Washer×8 Tapping Screw×8

## Model Reference Guide

\*If the specification you require is not offered in the table below, contact our local branch or agency.

ACO without Leakage Detecting System	
Model	
AX-20B	
AX-20B(with BV)	
AX-20B (without Flange)	
AX-20B-4H, AX-20B-4S, AX-20B-4TH, AX-20B-4TS	
AX-20B-4H(with BV), AX-20B-4S(with BV), AX-20B-4TH(with BV), AX-20B-4TS(with BV)	
AX-20B-6H, AX-20B-6S, AX-20B-6TH, AX-20B-6TS	
AX-20B-6H(with BV), AX-20B-6S(with BV), AX-20B-6TH(with BV), AX-20B-6TS(with BV)	
AX-20B-4JH, AX-20B-4JS, AX-20B-4JTH, AX-20B-4JTS	
AX-20B-4JH(with BV), AX-20B-4JS(with BV), AX-20B-4JTH(with BV), AX-20B-4JTS(with BV)	
AX-20B-6JH, AX-20B-6JS, AX-20B-6JTH, AX-20B-6JTS	
AX-20B-6JH(with BV), AX-20B-6JS(with BV), AX-20B-6JTH(with BV), AX-20B-6JTS(with BV)	

\*The TAXS range for telemetry is also available.

ACO Incorporating Leakage Detecting System	
Model	
AX-20BHL	
AX-20BHL (without Flange)	
AX-20BHL-4H, AX-20BHL-4S, AX-20BHL-4TH, AX-20BHL-4TS	
AX-20BHL-6H, AX-20BHL-6S, AX-20BHL-6TH, AX-20BHL-6TS	
AX-20BHL-4JH, AX-20BHL-4JS, AX-20BHL-4JTH, AX-20BHL-4JTS	
AX-20BHL-6JH, AX-20BHL-6JS, AX-20BHL-6JTH, AX-20BHL-6JTS	

\*The TAXS range for telemetry is also available.

\*See page 97 regarding gas flow recorders.

AX-20-GB      TAX-20-GB  
(With Signal Transmitting Function)

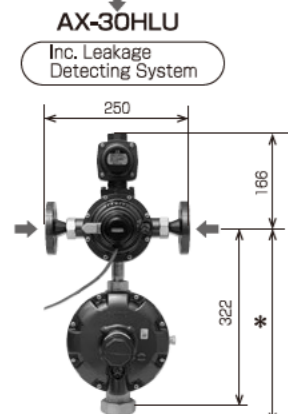
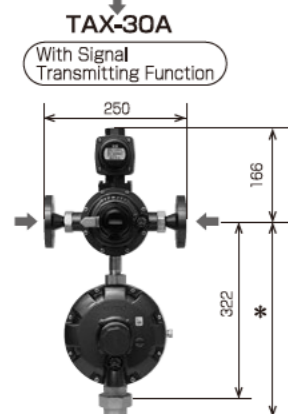
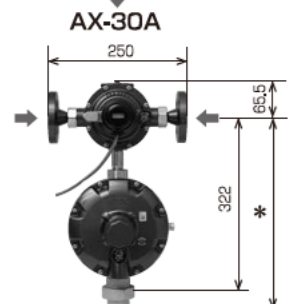
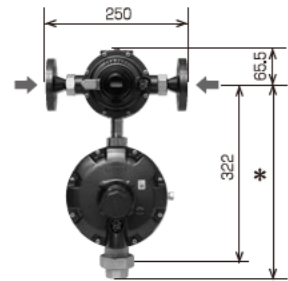
### Specifications

Capacity(Propane)	20kg/h
Inlet Pressure	0.10~1.60MPa
Outlet Pressure	2.70~4.50kPa
Lockup Pressure	≤ 5.00kPa
Safety Relief Valve Working Pressure	7.40~8.90kPa
Starting Pressure of Replenishment	≥ 50.0kPa

# 30kg/h Double Stage Automatic Changeover Regulators

## Model Reference Guide

AX-30A  
TAX-30A  
AX-30HLU  
TAX-30HLU  
Model Code



①		②		③	
Inlet Connection		HP Hose Connector		Outlet Connection	
Code	Inlet Connection	Accs.			
Without Flange	JIS20K 15A Flange	①		②	
	Rc1/2	N/A			
4	JIS POL- 4 cyls. Kit Inc. 4 Hoses (L:600mm). Manifolds	①		②	
4J	JIS POL- 4 cyls. Kit Inc. 2 Hoses (L:600mm). 2 Hoses (L:1000mm). Manifolds (Compact Model)	①		②	
6	JIS POL- 6 cyls. Kit Inc. 4 Hoses (L:600mm). 2 Hoses (L:1000mm). Manifolds	①		②	
6J	JIS POL- 6 cyls. Kit Inc. 2 Hoses (L:600mm). 4 Hoses (L:1000mm). Manifolds (Compact Model)	①		②	

\*Hoses provided with kit, not assembled.

②	
Code	High Pressure Hose Connector
H	Handwheel
S	Mechanical
TH	Handwheel Inc. Tensile Trigger Shut-Off Valve
TS	Mechanical Inc. Tensile Trigger Shut-Off Valve

③	
Code	Outlet Connection
	Rc1 Union
With BV	BV-25U Rc1 Ball Valve for Union

\*If the code of inlet connection is 4J or 6J, the union is provided with kit, not assembled.  
\* BV-25U provided with kit, not assembled.

## Range Specification

Capacity (Propane)	30kg/h
Inlet Pressure	0.10~1.56MPa
Outlet Pressure	2.55~3.30kPa
Lockup Pressure	≤3.50kPa
Safety Relief Valve Working Pressure	5.60~8.40kPa
Starting Pressure of Replenishment	<0.10MPa

## Accessories

①	15A Flange Gasket ×2
②	Bracket ×2 15A U-Bolt ×2 M5 Butterfly Nut ×4 M5 Flat Washer ×4 Tapping Screw ×4
③	Bracket ×4 15A U-Bolt ×4 M5 Butterfly Nut ×8 M5 Flat Washer ×8 Tapping Screw ×8

## Model Reference Guide

\*If the specification you require is not offered in the table below, contact our local branch or agency.

ACO Without Leakage Detecting System	
ACO without Signal Transmitting Function	ACO with Signal Transmitting Function
Model	Model
AX-30A	TAX-30A
AX-30A(with BV)	TAX-30A(with BV)
AX-30A(without Flange)	TAX-30A(without Flange)
AX-30A-4H	TAX-30A-4H
AX-30A-4S	TAX-30A-4S
AX-30A-4H(with BV)	TAX-30A-4H(with BV)
AX-30A-4S(with BV)	TAX-30A-4S(with BV)
AX-30A-4TH	TAX-30A-4TH
AX-30A-4TS	TAX-30A-4TS
AX-30A-4TH(with BV)	TAX-30A-4TH(with BV)
AX-30A-4TS(with BV)	TAX-30A-4TS(with BV)
AX-30A-6H	TAX-30A-6H
AX-30A-6S	TAX-30A-6S
AX-30A-6H(with BV)	TAX-30A-6H(with BV)
AX-30A-6S(with BV)	TAX-30A-6S(with BV)
AX-30A-6TH	TAX-30A-6TH
AX-30A-6TS	TAX-30A-6TS
AX-30A-6TH(with BV)	TAX-30A-6TH(with BV)
AX-30A-6TS(with BV)	TAX-30A-6TS(with BV)
AX-30A-4JH	TAX-30A-4JH
AX-30A-4JS	TAX-30A-4JS
AX-30A-4JH(with BV)	TAX-30A-4JH(with BV)
AX-30A-4JS(with BV)	TAX-30A-4JS(with BV)
AX-30A-4JTH	TAX-30A-4JTH
AX-30A-4JTS	TAX-30A-4JTS
AX-30A-4JTH(with BV)	TAX-30A-4JTH(with BV)
AX-30A-4JTS(with BV)	TAX-30A-4JTS(with BV)
AX-30A-6JH	TAX-30A-6JH
AX-30A-6JS	TAX-30A-6JS
AX-30A-6JH(with BV)	TAX-30A-6JH(with BV)
AX-30A-6JS(with BV)	TAX-30A-6JS(with BV)
AX-30A-6JTH	TAX-30A-6JTH
AX-30A-6JTS	TAX-30A-6JTS
AX-30A-6JTH(with BV)	TAX-30A-6JTH(with BV)
AX-30A-6JTS(with BV)	TAX-30A-6JTS(with BV)

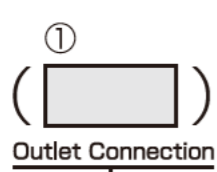
ACO Incorporating Leakage Detecting System	
ACO without Signal Transmitting Function	ACO with Signal Transmitting Function
Model	Model
AX-30HLU	TAX-30HLU
AX-30HLU(without Flange)	TAX-30HLU(without Flange)
AX-30HLU-4H	TAX-30HLU-4H
AX-30HLU-4S	TAX-30HLU-4S
AX-30HLU-4TH	TAX-30HLU-4TH
AX-30HLU-4TS	TAX-30HLU-4TS
AX-30HLU-6H	TAX-30HLU-6H
AX-30HLU-6S	TAX-30HLU-6S
AX-30HLU-6TH	TAX-30HLU-6TH
AX-30HLU-6TS	TAX-30HLU-6TS
AX-30HLU-4JH	TAX-30HLU-4JH
AX-30HLU-4JS	TAX-30HLU-4JS
AX-30HLU-4JTH	TAX-30HLU-4JTH
AX-30HLU-4JTS	TAX-30HLU-4JTS
AX-30HLU-6JH	TAX-30HLU-6JH
AX-30HLU-6JS	TAX-30HLU-6JS
AX-30HLU-6JTH	TAX-30HLU-6JTH
AX-30HLU-6JTS	TAX-30HLU-6JTS

\*See page 97 regarding gas flow recorders.

# 50kg/h Double Stage Automatic Changeover Regulators

## Model Reference Guide

**AX-50A**  
**TAX-50A**  
**AX-50AHL**  
**TAX-50AHL**  
Model Code



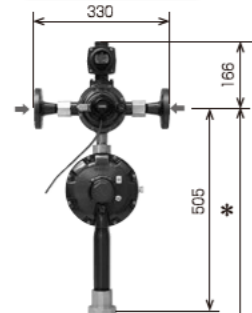
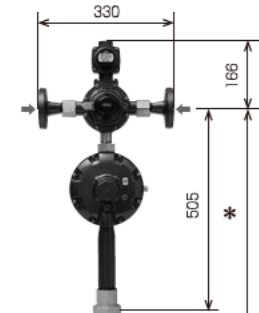
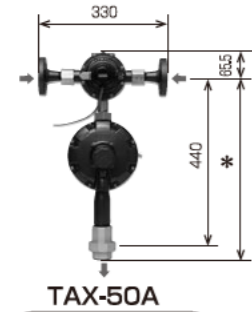
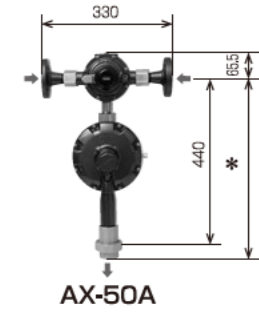
Code	Outlet Connection	
	(T)AX-50A	(T)AX-50AHL
	Rc1 1/4 Union	Rc1 1/4 Union
With BV	BV-32U Rc1 1/4 Ball Valve for Union	

\*BV-32U provided with kit, not assembled.

## Range Specification

Capacity(Propane)	50kg/h
Inlet Pressure	0.10~1.56MPa
Outlet Pressure	2.55~3.30kPa
Lockup Pressure	≤3.50kPa
Safety Relief Valve Working Pressure	5.60~8.40kPa
Starting Pressure of Replenishment	< 0.10MPa
Inlet Connection	JIS20K20A Flange

## Accessories



## Model Reference Guide

\*If the specification you require is not offered in the table below, contact our local branch or agency.

ACO Without Leakage Detecting System	
ACO without Signal Transmitting Function	ACO with Signal Transmitting Function
Model	Model
AX-50A	TAX-50A
AX-50A(with BV)	TAX-50A(with BV)

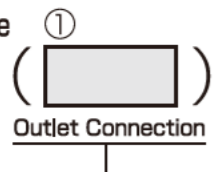
ACO Incorporating Leakage Detecting System	
ACO without Signal Transmitting Function	ACO with Signal Transmitting Function
Model	Model
AX-50AHL	TAX-50AHL

\*See page 97 regarding gas flow recorders.

# 70kg/h Double Stage Automatic Changeover Regulators

## Model Reference Guide

**AX-70**  
**TAX-70**  
Model Code



Code	Outlet Connection	
	Rc1 1/4 Union	Rc1 1/4 Union
With BV	BV-32U Rc1 1/4 Ball Valve for Union	

\*BV-32U provided with kit, not assembled.

## Range Specification

Capacity(Propane)	70kg/h
Inlet Pressure	0.10~1.56MPa
Outlet Pressure	2.55~3.30kPa
Lockup Pressure	≤3.50kPa
Safety Relief Valve Working Pressure	5.60~8.40kPa
Starting Pressure of Replenishment	< 0.10MPa
Inlet Connection	JIS20K20A Flange

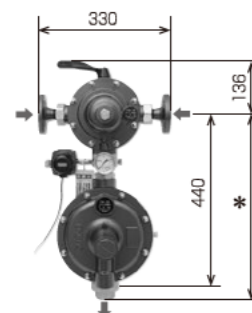
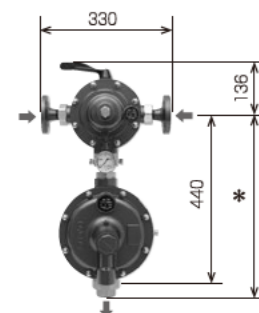
## Accessories



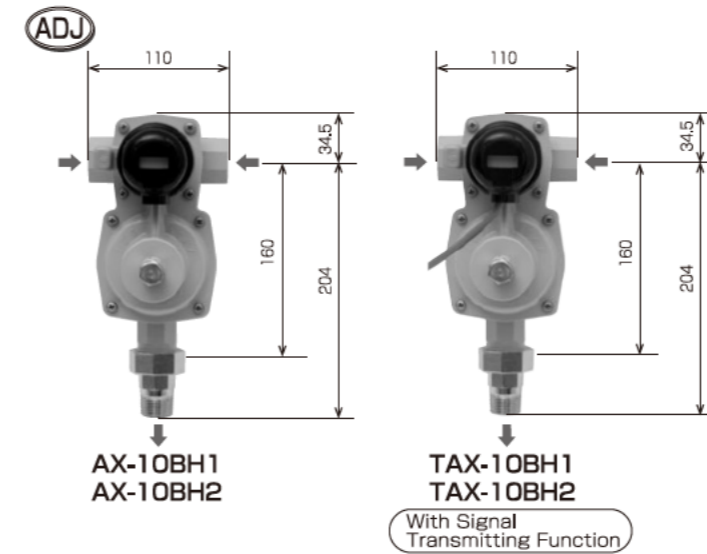
## Model Reference Guide

\*If the specification you require is not offered in the table below, contact our local branch or agency.

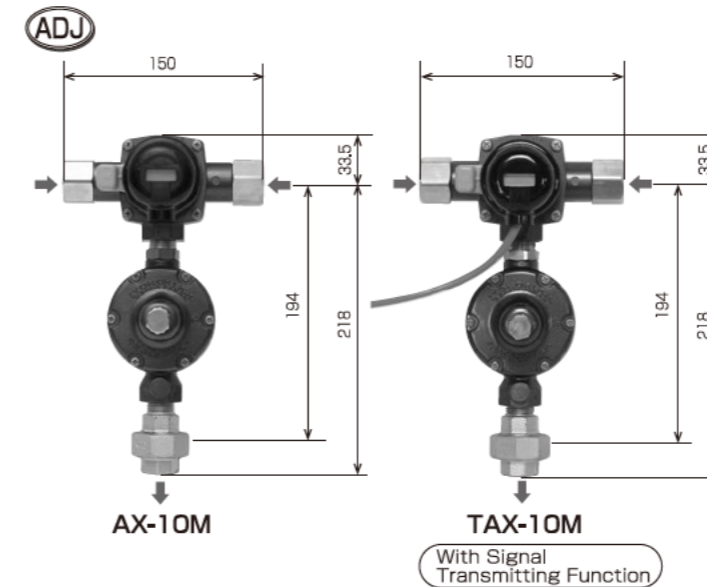
ACO without Signal Transmitting Function	ACO with Signal Transmitting Function
Model	Model
AX-70A	TAX-70A
AX-70A(with BV)	TAX-70A(with BV)



# Variable Type Double Stage Automatic Changeover Regulators

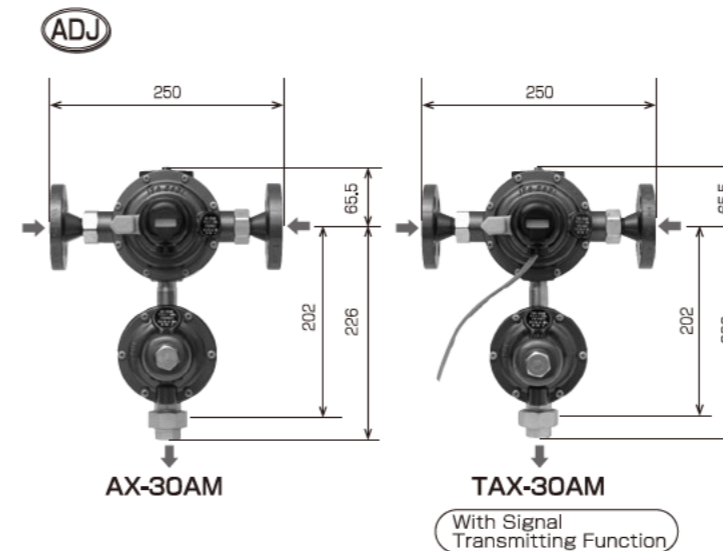


Model	AX-10BH1	AX-10BH2
ACO with Signal Transmitting Function	TAX-10BH1	TAX-10BH2
Capacity(Propane)	10kg/h	
Inlet Pressure	0.10~1.56MPa	
Variable Outlet Pressure Range	3.50~5.50kPa	5.50~10.0kPa
Outlet Pressure	Set Point±20% kPa	
Lockup Pressure	≤Set Point+30% kPa	
Safety Relief Valve Working Pressure	Set Point+3.50~6.50kPa	
Inlet Connection	Rc1/2	
Outlet Connection	R3/4 Union	



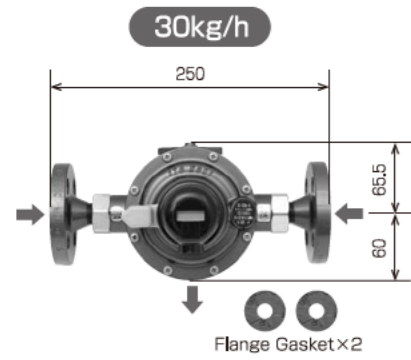
Model	AX-10M
ACO with Signal Transmitting Function	TAX-10M
Capacity (Propane)	10kg/h
Inlet Pressure	0.20~1.56MPa
Variable Outlet Pressure Range	0.01~0.09MPa
Outlet Pressure	Set Point±20% MPa
Lockup Pressure	≤Set Point+30% MPa
Inlet Connection	Rc1/2 *
Outlet Connection	Rc1/2 Union

\*The 4 or 6 cyls. kit is also available.



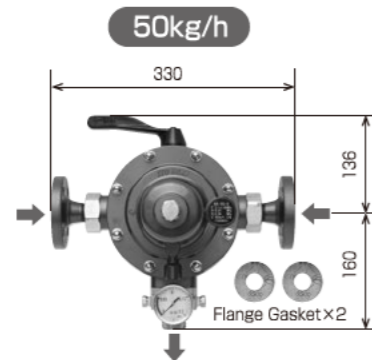
Model	AX-30AM
ACO with Signal Transmitting Function	TAX-30AM
Capacity(Propane)	30kg/h
Inlet Pressure	0.20~1.56MPa
Variable Outlet Pressure Range	0.02~0.10MPa
Outlet Pressure	Set Point±20% MPa
Lockup Pressure	≤Set Point+30% MPa
Inlet Connection	JIS20K15A Flange
Outlet Connection	Rc1/2 Union
Accessories	15A Flange Gasket×2

# Separate Type First Stage Automatic Changeover Regulators



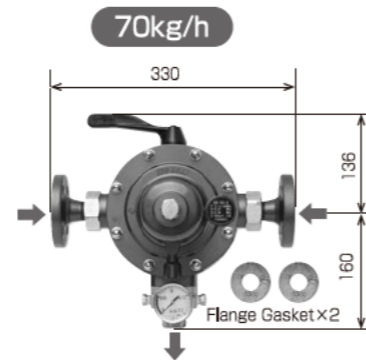
**AX-30A-0**

Inlet	JIS20K15A Flange
Outlet	Rc1/2



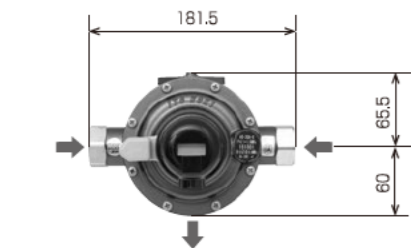
**AX-50-0**

Inlet	JIS20K20A Flange
Outlet	R1



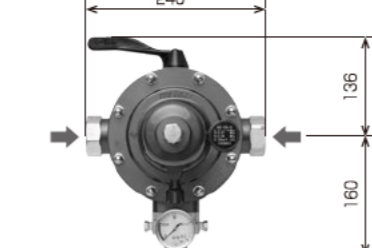
**AX-70-0**

Inlet	JIS20K20A Flange
Outlet	R1



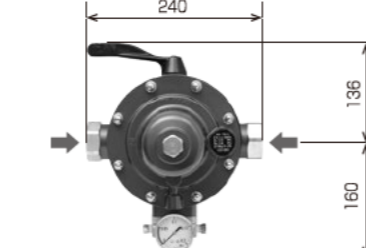
**AX-30A-0 (without Flange)**

Inlet	Rc1/2
Outlet	Rc1/2



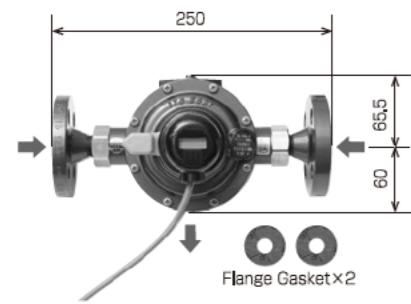
**AX-50-0 (without Flange)**

Inlet	Rc3/4
Outlet	R1



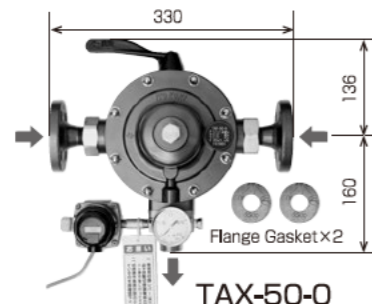
**AX-70-0 (without Flange)**

Inlet	Rc3/4
Outlet	R1



**TAX-30A-0** With Signal Transmitting Function

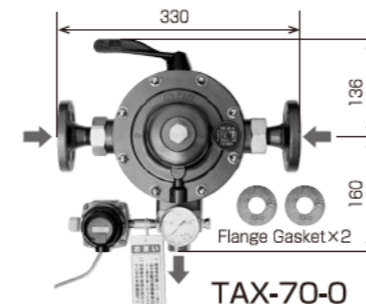
Inlet	JIS20K15A Flange
Outlet	Rc1/2



**TAX-50-0**

With Signal Transmitting Function

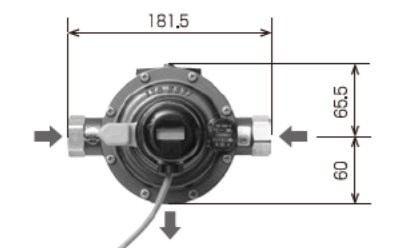
Inlet	JIS20K20A Flange
Outlet	R1



**TAX-70-0**

With Signal Transmitting Function

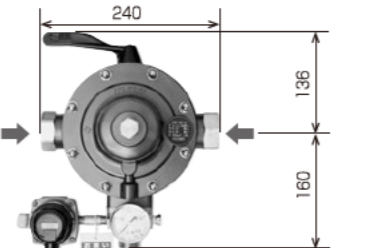
Inlet	JIS20K20A Flange
Outlet	R1



**TAX-30A-0 (without Flange)**

With Signal Transmitting Function

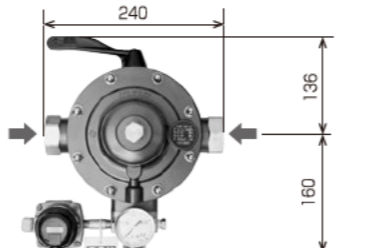
Inlet	Rc1/2
Outlet	Rc1/2



**TAX-50-0 (without Flange)**

With Signal Transmitting Function

Inlet	Rc3/4
Outlet	R1



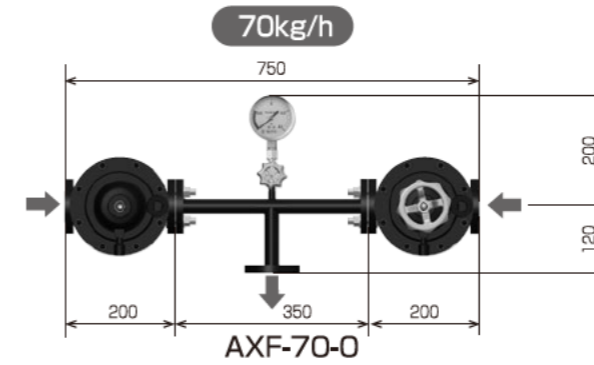
**TAX-70-0 (without Flange)**

With Signal Transmitting Function

Inlet	Rc3/4
Outlet	R1

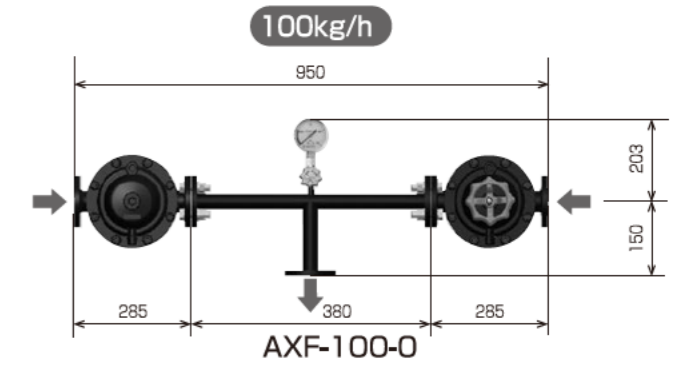
## Range Specification

Inlet Pressure	0.10~1.56MPa	Outlet Pressure	0.032~0.083MPa	Lockup Pressure	≤0.095MPa
----------------	--------------	-----------------	----------------	-----------------	-----------



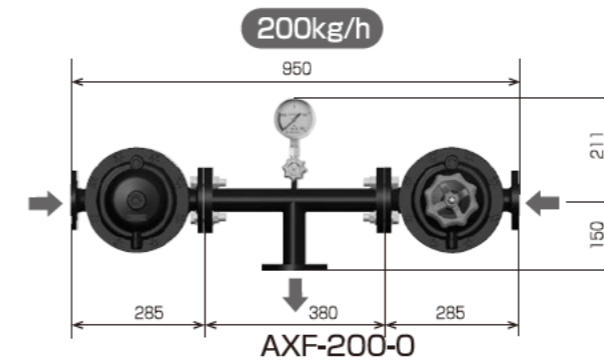
**AXF-70-0**

Inlet	JIS20K20A Flange
Outlet	JIS10K25A Flange



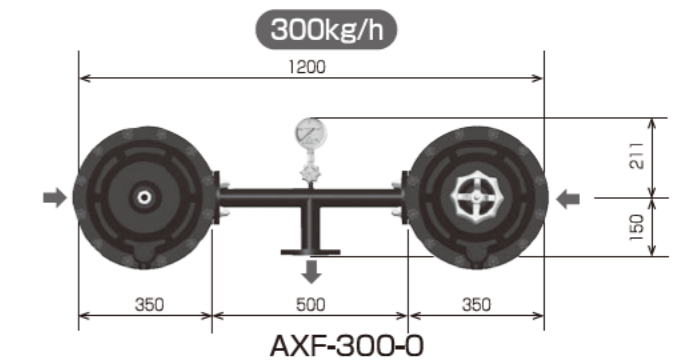
**AXF-100-0**

Inlet	JIS20K25A Flange
Outlet	JIS10K25A Flange



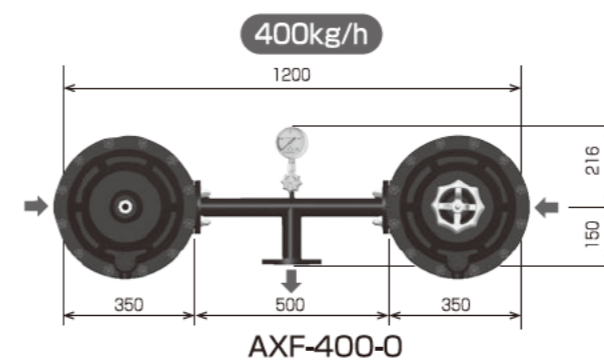
**AXF-200-0**

Inlet	JIS20K25A Flange
Outlet	JIS10K40A Flange



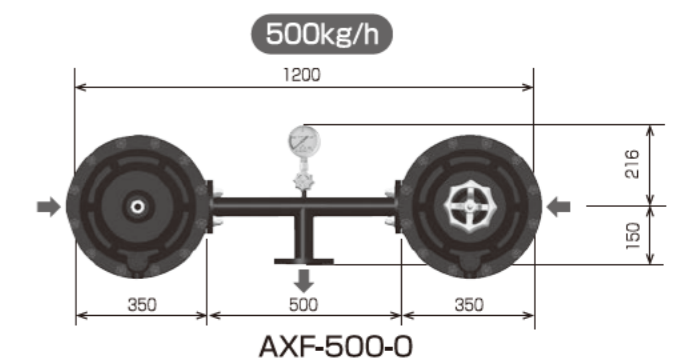
**AXF-300-0**

Inlet	JIS20K40A Flange
Outlet	JIS10K50A Flange



**AXF-400-0**

Inlet	JIS20K50A Flange
Outlet	JIS10K50A Flange



**AXF-500-0**

Inlet	JIS20K50A Flange
Outlet	JIS10K50A Flange

**AX-12HP**

**TAX-12HP**  
With Signal Transmitting Function

### Specifications

Inlet Pressure	0.20~1.60MPa
Outlet Pressure	0.12~0.18MPa
Lockup Pressure	≤0.195MPa
Inlet Connection	M20×1.5
Outlet Connection	Rp1/2