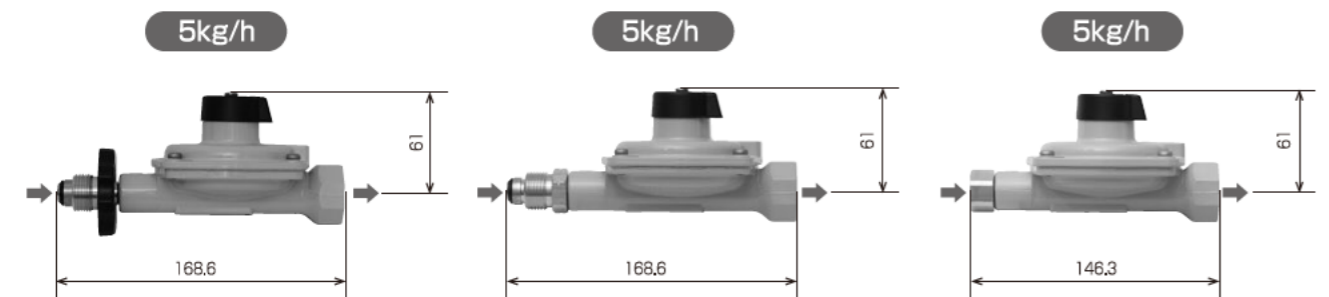


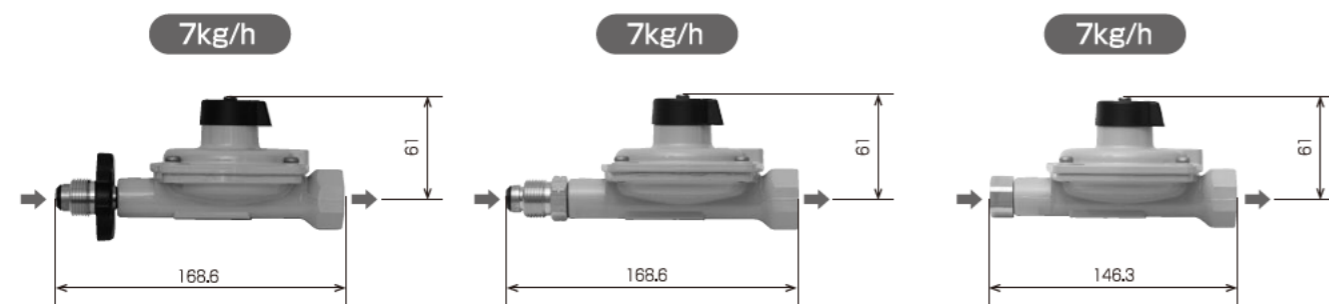
Single Stage Regulators

Range Specification

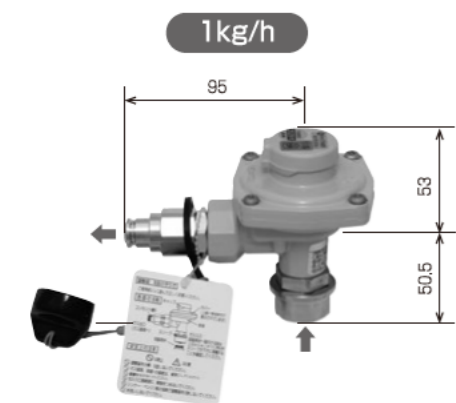
Inlet Pressure	0.07~1.56MPa	Outlet Pressure	2.30~3.30kPa
Lockup Pressure	≤3.50kPa	Safety Relief Valve Working Pressure	5.60~8.40kPa



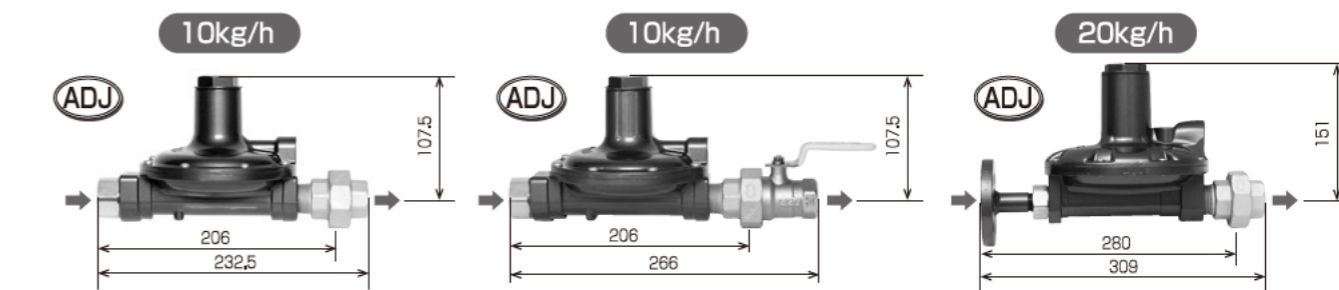
HS-5B (H)		HS-5B (S)		HS-5B (Rc1/4)	
Inlet	JIS POL Handwheel	Inlet	JIS POL Mechanical	Inlet	Rc1/4
Outlet	Rc1/2	Outlet	Rc1/2	Outlet	Rc1/2



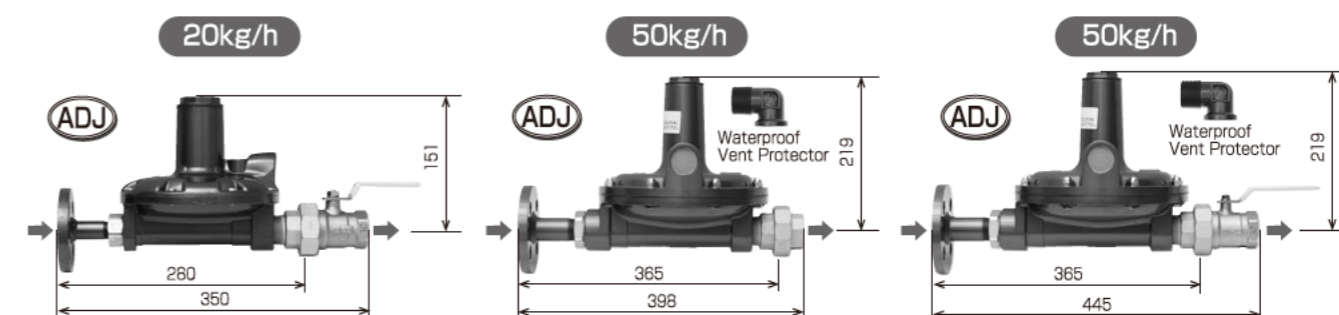
HS-7A (H)		HS-7A (S)		HS-7A (Rc1/4)	
Inlet	JIS POL Handwheel	Inlet	JIS POL Mechanical	Inlet	Rc1/4
Outlet	Rc1/2	Outlet	Rc1/2	Outlet	Rc1/2



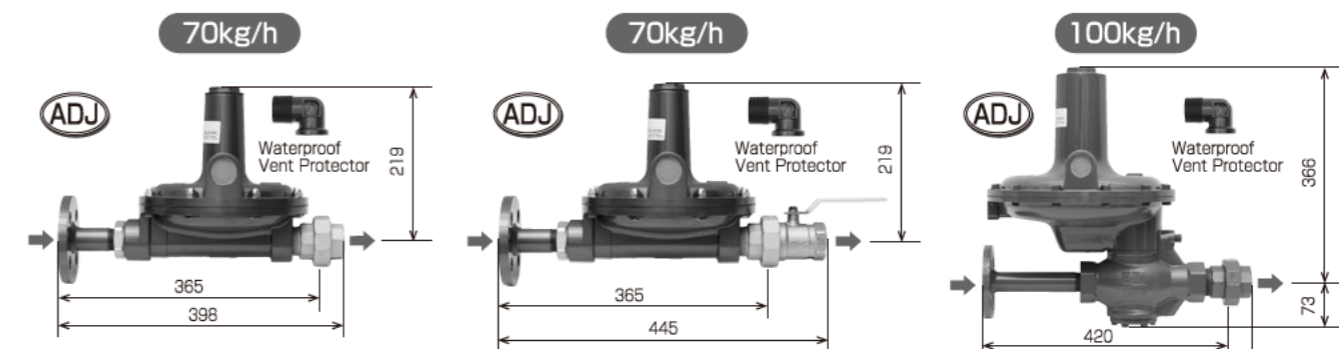
SHT-1B	
Inlet	Clip On Connector
Outlet	Quick Coupling Adapter



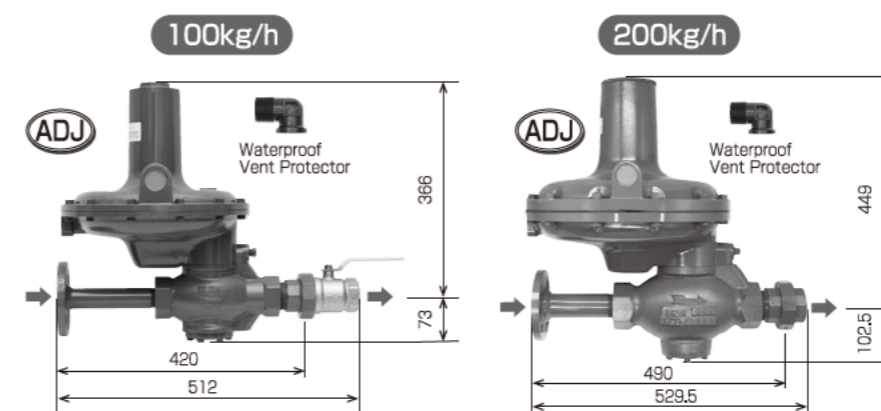
C-10A-1		C-10A-1 (with BV)		C-20-1	
Inlet	Rc1/2	Inlet	Rc1/2	Inlet	JIS20K15A Flange
Outlet	Rc3/4 Union	Outlet	Rc3/4 Ball Valve for Union	Outlet	Rc1 Union



C-20-1 (with BV)		GL-50-1		GL-50-1 (with BV)	
Inlet	JIS20K15A Flange	Inlet	JIS20K25A Flange	Inlet	JIS20K25A Flange
Outlet	Rc1 Ball Valve for Union	Outlet	Rc1 1/4 Union	Outlet	Rc1 1/4 Ball Valve for Union



GL-70-1		GL-70-1 (with BV)		G-32A-1	
Inlet	JIS20K25A Flange	Inlet	JIS20K25A Flange	Inlet	JIS20K25A Flange
Outlet	Rc1 1/4 Union	Outlet	Rc1 1/4 Ball Valve for Union	Outlet	Rc1 1/2 Union



G-32A-1 (with BV)		G-36C-1	
Inlet	JIS20K25A Flange	Inlet	JIS20K40A Flange
Outlet	Rc1 1/2 Ball Valve for Union	Outlet	Rc2 Union

First Stage Regulators

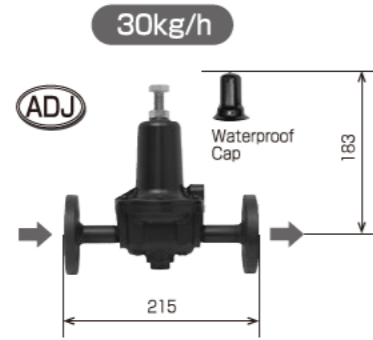
Range Specification

Inlet Pressure	0.10~1.56MPa	Outlet Pressure	0.057~0.083MPa	Lockup Pressure	≤0.095MPa
----------------	--------------	-----------------	----------------	-----------------	-----------



CM-100

Inlet	JIS20K15A Flange
Outlet	JIS10K15A Flange



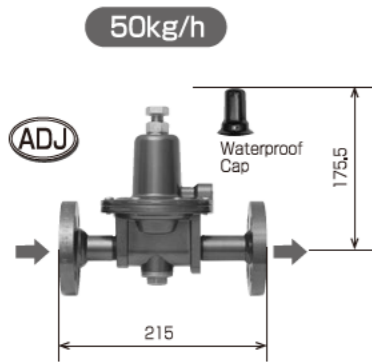
CM-100A

Inlet	JIS20K15A Flange
Outlet	JIS10K15A Flange



CM-100A (without Flange)

Inlet	Rc 1/2
Outlet	Rc 1/2



GM-50

Inlet	JIS20K20A Flange
Outlet	JIS10K20A Flange



GMF-70

Inlet	JIS20K20A Flange
Outlet	JIS10K20A Flange



GMF-100

Inlet	JIS20K25A Flange
Outlet	JIS10K25A Flange



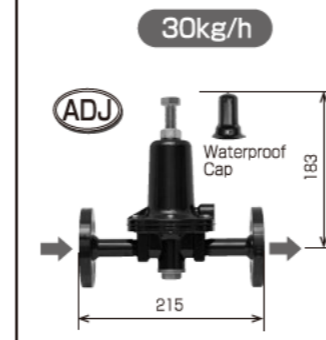
GMF-200

Inlet	JIS20K25A Flange
Outlet	JIS10K40A Flange

 300kg/h GMF-300	 400kg/h GMF-400	 500kg/h GMF-500	 1000kg/h GM-1000																
<table border="1"> <tr> <td>Inlet</td> <td>JIS20K40A Flange</td> </tr> <tr> <td>Outlet</td> <td>JIS10K40A Flange</td> </tr> </table>	Inlet	JIS20K40A Flange	Outlet	JIS10K40A Flange	<table border="1"> <tr> <td>Inlet</td> <td>JIS20K50A Flange</td> </tr> <tr> <td>Outlet</td> <td>JIS10K50A Flange</td> </tr> </table>	Inlet	JIS20K50A Flange	Outlet	JIS10K50A Flange	<table border="1"> <tr> <td>Inlet</td> <td>JIS20K50A Flange</td> </tr> <tr> <td>Outlet</td> <td>JIS10K50A Flange</td> </tr> </table>	Inlet	JIS20K50A Flange	Outlet	JIS10K50A Flange	<table border="1"> <tr> <td>Inlet</td> <td>JIS20K80A Flange</td> </tr> <tr> <td>Outlet</td> <td>JIS10K80A Flange</td> </tr> </table>	Inlet	JIS20K80A Flange	Outlet	JIS10K80A Flange
Inlet	JIS20K40A Flange																		
Outlet	JIS10K40A Flange																		
Inlet	JIS20K50A Flange																		
Outlet	JIS10K50A Flange																		
Inlet	JIS20K50A Flange																		
Outlet	JIS10K50A Flange																		
Inlet	JIS20K80A Flange																		
Outlet	JIS10K80A Flange																		

For 0.30MPa Outlet Range Specification

Inlet Pressure	0.40~1.56MPa	Outlet Pressure	0.24~0.36MPa	Lockup Pressure	≤0.39MPa
----------------	--------------	-----------------	--------------	-----------------	----------



CM-100 3K

Inlet	JIS20K15A Flange
Outlet	JIS10K15A Flange

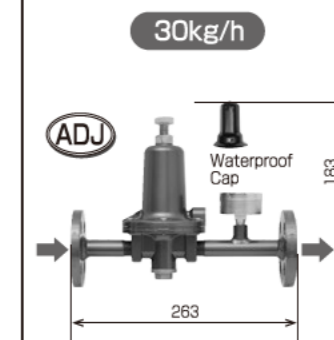


GMF-70 3K

Inlet	JIS20K20A Flange
Outlet	JIS10K20A Flange

For Vaporiser (SMV) Range Specification

Inlet Pressure	0.07~0.96MPa	Outlet Pressure	0.032~0.083MPa	Lockup Pressure	≤0.095MPa
----------------	--------------	-----------------	----------------	-----------------	-----------



CM-30VS

Inlet	JIS10K15A Flange
Outlet	JIS10K15A Flange



CM-50VS

Inlet	JIS10K20A Flange
Outlet	JIS10K25A Flange

For Vaporiser Range Specification

Inlet Pressure	0.10~1.56MPa	Outlet Pressure	0.032~0.083MPa	Lockup Pressure	≤0.095MPa
----------------	--------------	-----------------	----------------	-----------------	-----------



CM-50V

Inlet	JIS20K20A Flange
Outlet	JIS10K20A Flange



CM-50V (without Flange)

Inlet	Rc3/4
Outlet	Rc3/4



GMF-100V

Inlet	JIS20K20A Flange
Outlet	JIS10K25A Flange



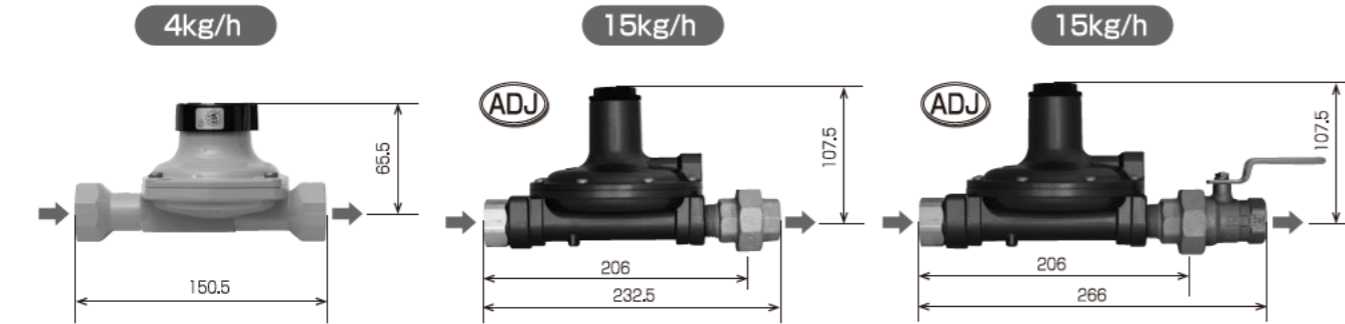
GMF-300V

Inlet	JIS20K25A Flange
Outlet	JIS10K40A Flange

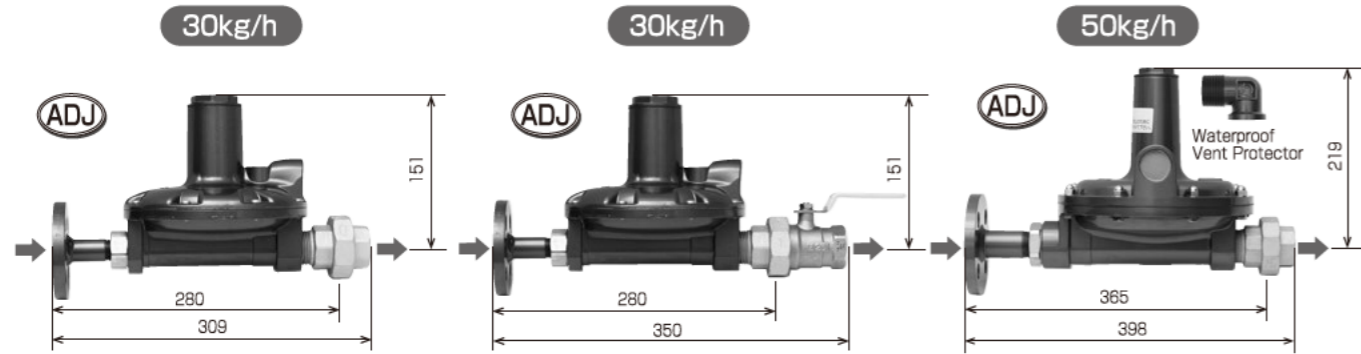
Second Stage Regulators

Range Specification

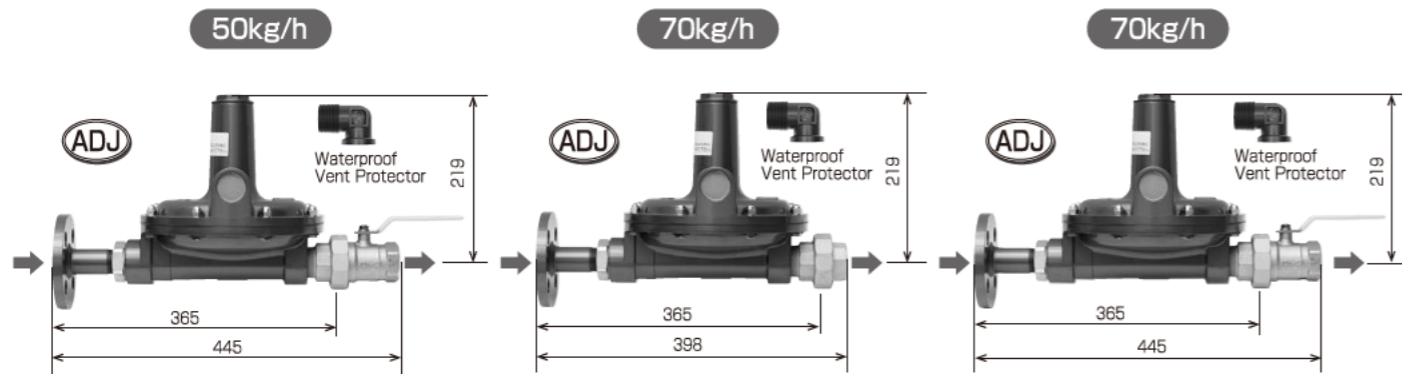
Inlet Pressure	0.025~0.10MPa	Outlet Pressure	2.30~3.30kPa	Lockup Pressure	≤ 3.50kPa	Safety Relief Valve Working Pressure	5.60~8.40kPa
----------------	---------------	-----------------	--------------	-----------------	-----------	--------------------------------------	--------------



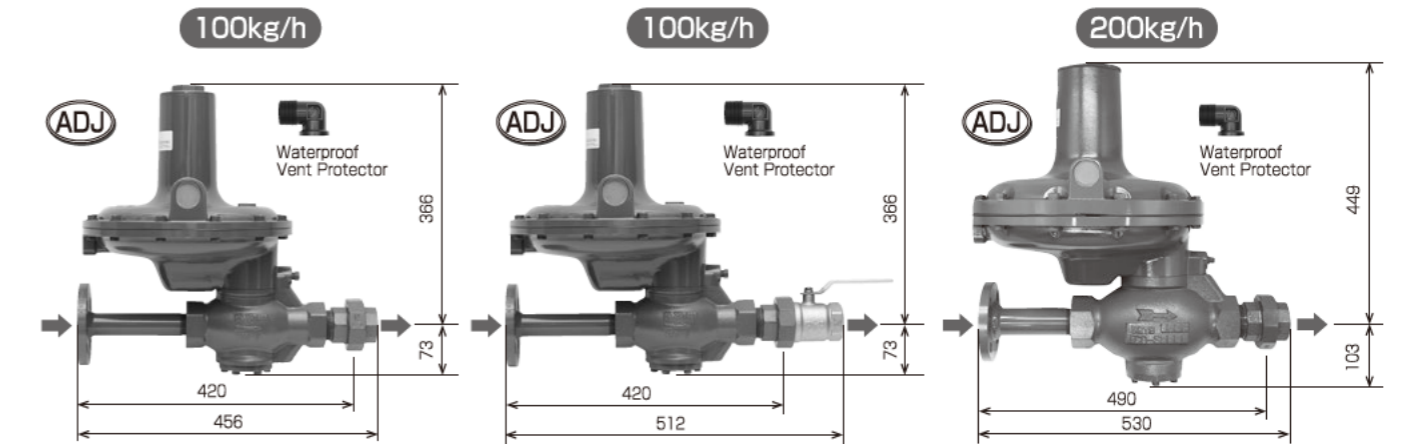
H-4A-2		C-10A-2		C-10A-2 (with BV)	
Inlet	Rc1/2	Inlet	Rc1/2	Inlet	Rc1/2
Outlet	Rc1/2	Outlet	Rc3/4 Union	Outlet	Rc3/4 Ball Valve for Union



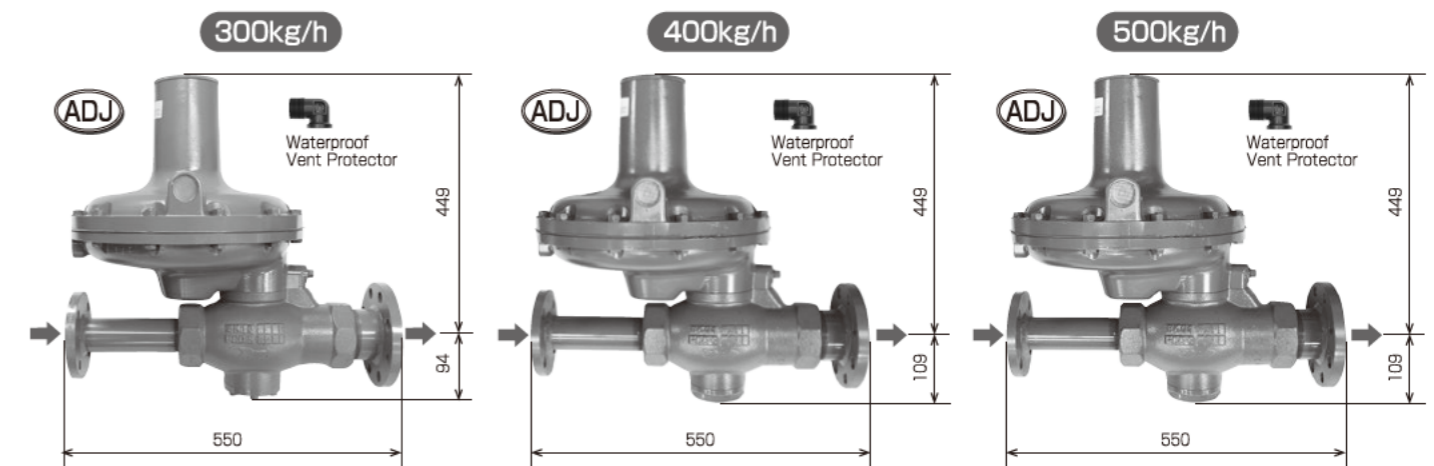
C-20-2		C-20-2 (with BV)		GL-50-2	
Inlet	JIS10K15A Flange	Inlet	JIS10K15A Flange	Inlet	JIS10K25A Flange
Outlet	Rc1 Union	Outlet	Rc1 Ball Valve for Union	Outlet	Rc1 1/4 Union



GL-50-2 (with BV)		GL-70-2		GL-70-2 (with BV)	
Inlet	JIS10K25A Flange	Inlet	JIS10K25A Flange	Inlet	JIS10K25A Flange
Outlet	Rc1 1/4 Ball Valve for Union	Outlet	Rc1 1/4 Union	Outlet	Rc1 1/4 Ball Valve for Union

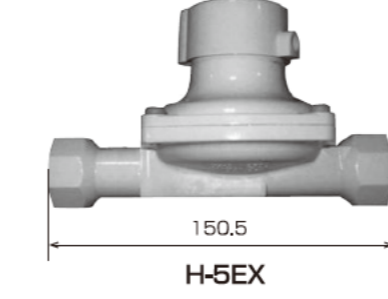


G-32A-2		G-32A-2 (with BV)		G-36C-2	
Inlet	JIS10K25A Flange	Inlet	JIS10K25A Flange	Inlet	JIS10K40A Flange
Outlet	Rc1 1/2 Union	Outlet	Rc1 1/2 Ball Valve for Union	Outlet	Rc2 Union



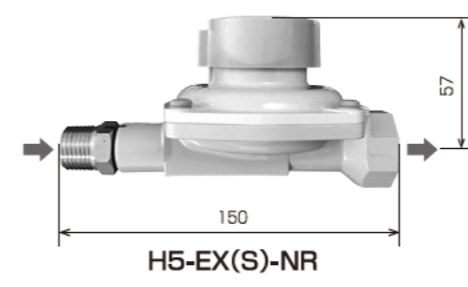
GL-300-2		GL-400-2		GL-500-2	
Inlet	JIS10K50A Flange	Inlet	JIS10K50A Flange	Inlet	JIS10K50A Flange
Outlet	JIS10K80A Flange	Outlet	JIS10K80A Flange	Outlet	JIS10K80A Flange

5kg/h Convertible to **4.0Nm³/h in NG**



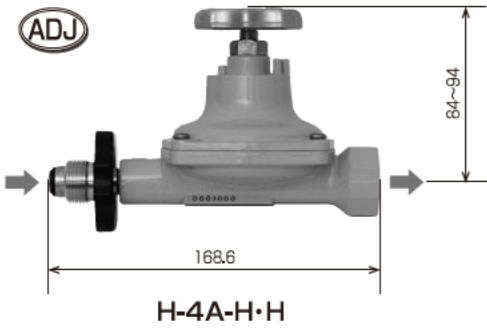
Gas Type	LPG	NG
Inlet Pressure	0.025~0.30MPa	0.03~0.5MPa
Outlet Pressure	2.80±0.50kPa	2.00±0.50kPa
Lockup Pressure	≤3.50kPa	≤2.70kPa
Inlet	Rc1/2	
Outlet	Rc1/2	

6kg/h Convertible to **5.5Nm³/h in NG**

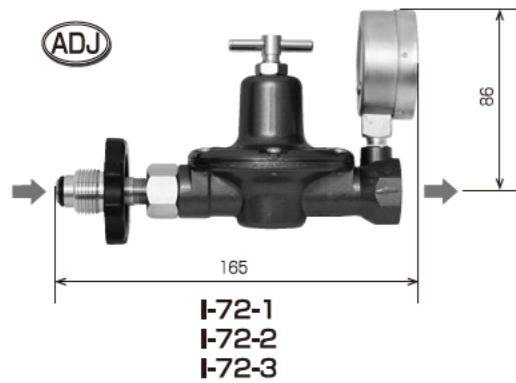


Gas Type	LPG	NG
Inlet Pressure	0.03~0.15 MPa	0.03~0.20 MPa
Outlet Pressure	2.52~3.4 kPa	1.84~2.48 kPa
Lockup Pressure	≤3.50kPa	≤2.70kPa
Inlet	R1/2	
Outlet	Rc1/2	

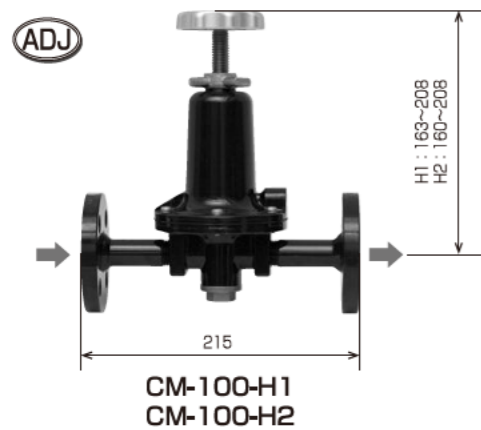
Variable Type Pressure Regulators



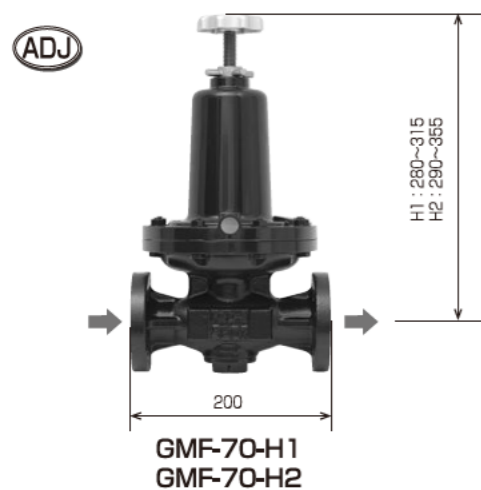
Model	H-4A-H·H
Capacity(Propane)	4kg/h
Inlet Pressure	0.07~1.56MPa
Variable Outlet Pressure Range	4.50~7.00kPa
Outlet Pressure	Set Point ± 20% kPa
Lockup Pressure	≤ Set Point + 30% kPa
Safety Relief Valve Working Pressure	Set Point + 4.30~4.80kPa
Inlet Connection	JIS POL with Handwheel
Outlet Connection	Rc 1/2



Model	I-72-1	I-72-2	I-72-3
Capacity(Propane)	5kg/h		
Inlet Pressure	0.13~1.56MPa	0.17~1.56MPa	0.40~1.56MPa
Variable Outlet Pressure Range	0.01~0.07MPa	0.01~0.16MPa	0.01~0.35MPa
Outlet Pressure	Set Point ± 20% MPa		
Lockup Pressure	≤ Set Point + 30% MPa		
Inlet Connection	JIS POL with Handwheel		
Outlet Connection	Rc 1/2		

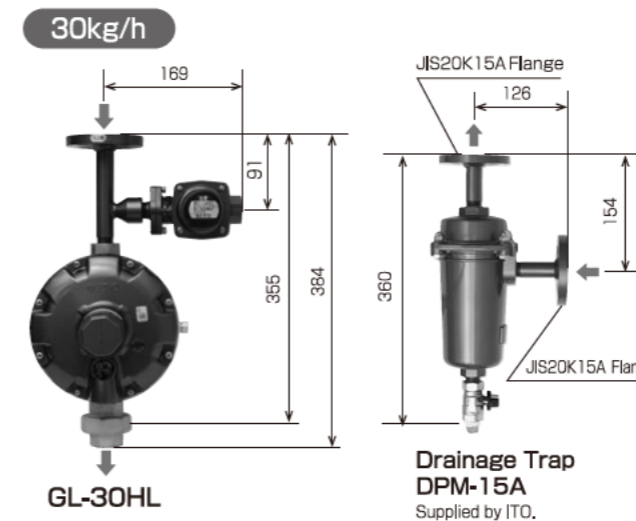


Model	CM-100-H1	CM-100-H2
Capacity(Propane)	30kg/h	
Inlet Pressure	0.10~1.56MPa	0.07~0.40MPa
Variable Outlet Pressure Range	0.03~0.15MPa	0.00~0.04MPa
Outlet Pressure	Set Point ± 20% MPa	
Lockup Pressure	≤ Set Point + 30% MPa	
Inlet Connection	JIS20K 15A Flange	
Outlet Connection	JIS 10K 15A Flange	



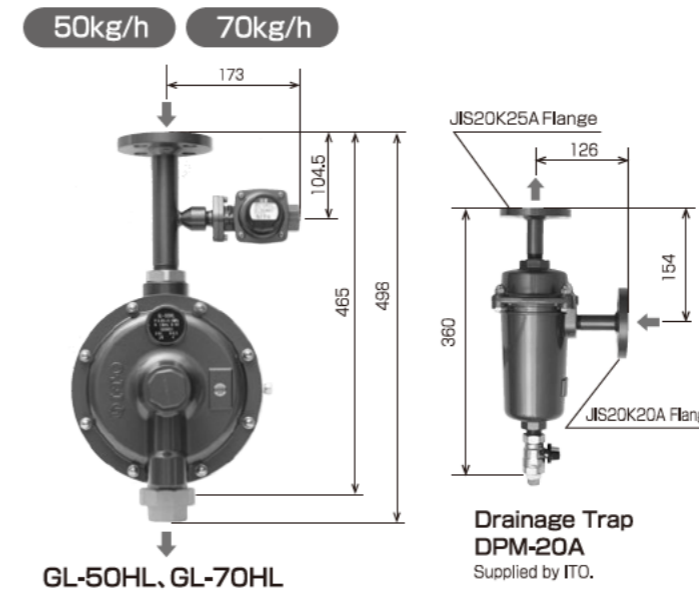
Model	GMF-70-H1	GMF-70-H2
Capacity(Propane)	70kg/h	
Inlet Pressure	0.10~1.56MPa	0.07~0.40MPa
Variable Outlet Pressure Range	0.03~0.15MPa	0.00~0.04MPa
Outlet Pressure	Set Point ± 20% MPa	
Lockup Pressure	≤ Set Point + 30% MPa	
Inlet Connection	JIS20K20A Flange	
Outlet Connection	JIS 10K20A Flange	

Second Stage Regulators Incorporating Leakage Detecting System



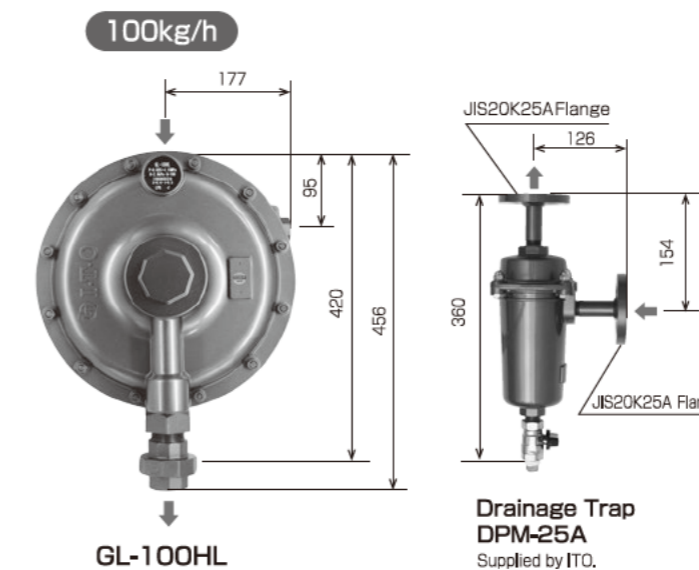
Model	GL-30HL	
Capacity(Propane)	30kg/h	
Inlet Pressure	0.025~0.15MPa	
Outlet Pressure	2.30~3.30kPa	
Lockup Pressure	≤ 3.50kPa	
Safety Relief Valve Working Pressure	5.60~8.40kPa	
Minimum Working Flow Rate of Main Regulator	0.4±0.38kg/h	
Maximum Flow Rate of Sub Regulator	0.5kg/h	
Inlet Connection	JIS 10K 15A Flange	
Outlet Connection	Main Reg.	Rc 1 Union
	Sub Reg.	Rc 1/2

*See page 97 regarding gas flow recorders.



Model	GL-50HL	GL-70HL
Capacity(Propane)	50kg/h	70kg/h
Inlet Pressure	0.025~0.15MPa	
Outlet Pressure	2.30~3.30kPa	
Lockup Pressure	≤ 3.50kPa	
Safety Relief Valve Working Pressure	5.60~8.40kPa	
Minimum Working Flow Rate of Main Regulator	0.4±0.38kg/h	
Maximum Flow Rate of Sub Regulator	0.5kg/h	
Inlet Connection	JIS 10K 25A Flange	
Outlet Connection	Main Reg.	Rc 1 1/4 Union
	Sub Reg.	Rc 1/2

*See page 97 regarding gas flow recorders.



Model	GL-100HL	
Capacity(Propane)	100kg/h	
Inlet Pressure	0.025~0.15MPa	
Outlet Pressure	2.30~3.30kPa	
Lockup Pressure	≤ 3.50kPa	
Safety Relief Valve Working Pressure	5.60~8.40kPa	
Minimum Working Flow Rate of Main Regulator	0.4±0.38kg/h	
Maximum Flow Rate of Sub Regulator	0.5kg/h	
Inlet Connection	JIS 10K 25A Flange	
Outlet Connection	Main Reg.	Rc 1 1/2 Union
	Sub Reg.	Rc 1/2

*See page 97 regarding gas flow recorders.