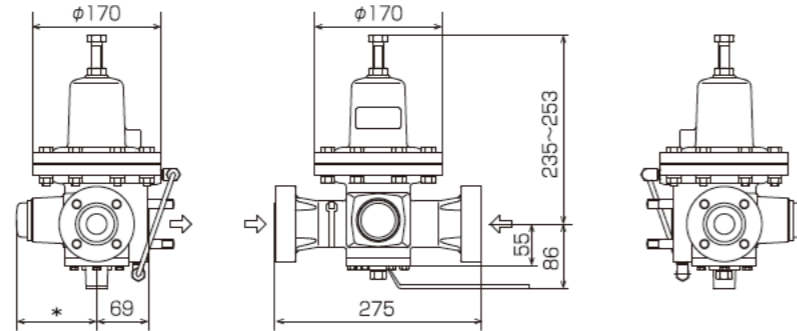


Liquid Automatic Changeover Devices



LAX-20C

External Dimensions



* LAX-20C: 107
LAX-20C-R: 118.5

Accessories



Specifications

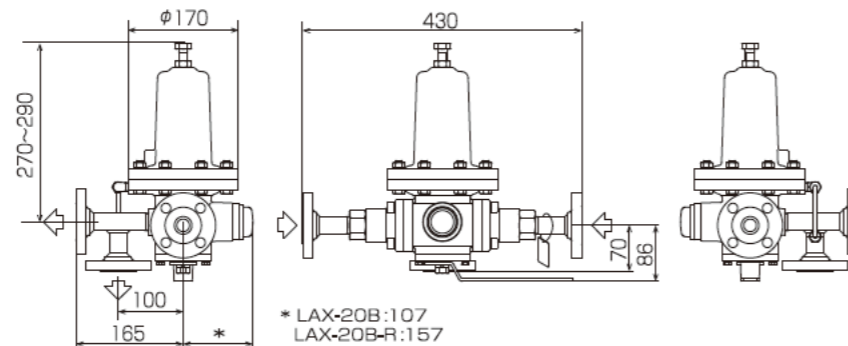
Gas Type	LPG(Liquid LPG)												
Maximum Flow Rate	300kg/h												
Changeover Pressure	0.05~0.15MPa												
Changeover Operating Pressure Allowance	±0.01 MPa												
Required Inlet Pressure (Minimum Pressure at Reserve Side)	(Changeover Pressure +ΔP)~ 1.56MPa The values for ΔP are shown below:												
	<table border="1"> <tr> <td>Q: Flow Rate(kg/h)</td> <td>100</td> <td>150</td> <td>200</td> <td>250</td> <td>300</td> </tr> <tr> <td>ΔP (MPa)</td> <td>0.03</td> <td>0.07</td> <td>0.11</td> <td>0.14</td> <td>0.18</td> </tr> </table>	Q: Flow Rate(kg/h)	100	150	200	250	300	ΔP (MPa)	0.03	0.07	0.11	0.14	0.18
Q: Flow Rate(kg/h)	100	150	200	250	300								
ΔP (MPa)	0.03	0.07	0.11	0.14	0.18								
Connection	Equivalent to JIS20K20A Flange												



LAX-20C-R

With Signal Transmitting Function

External Dimensions



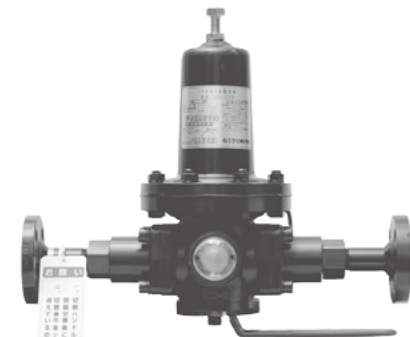
* LAX-20B: 107
LAX-20B-R: 157

Accessories

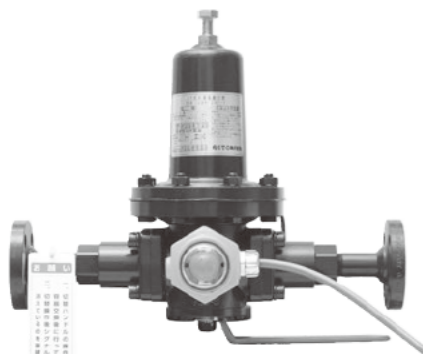


Specifications

Gas Type	LPG(Liquid LPG)												
Maximum Flow Rate	300kg/h												
Changeover Pressure	0.05~0.15MPa												
Changeover Operating Pressure Allowance	±0.01 MPa												
Required Inlet Pressure (Minimum Pressure at Reserve Side)	(Changeover Pressure +ΔP)~ 1.56MPa The values for ΔP are shown below:												
	<table border="1"> <tr> <td>Q: Flow Rate(kg/h)</td> <td>100</td> <td>150</td> <td>200</td> <td>250</td> <td>300</td> </tr> <tr> <td>ΔP (MPa)</td> <td>0.03</td> <td>0.07</td> <td>0.11</td> <td>0.14</td> <td>0.18</td> </tr> </table>	Q: Flow Rate(kg/h)	100	150	200	250	300	ΔP (MPa)	0.03	0.07	0.11	0.14	0.18
Q: Flow Rate(kg/h)	100	150	200	250	300								
ΔP (MPa)	0.03	0.07	0.11	0.14	0.18								
Connection	JIS20K20A Flange												



LAX-20B

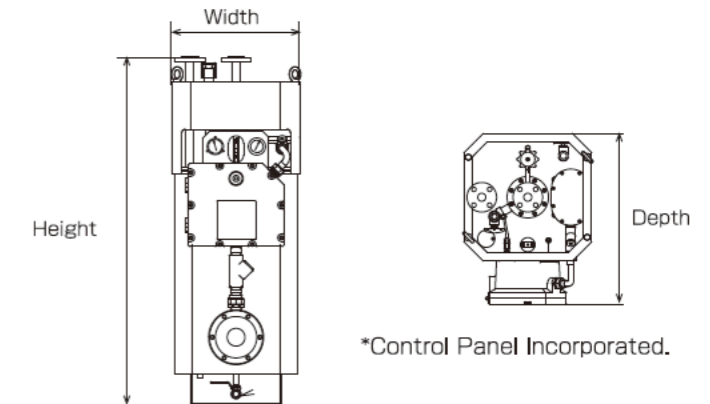


LAX-20B-R

With Signal Transmitting Function

Electrical Heating Type Vaporisers

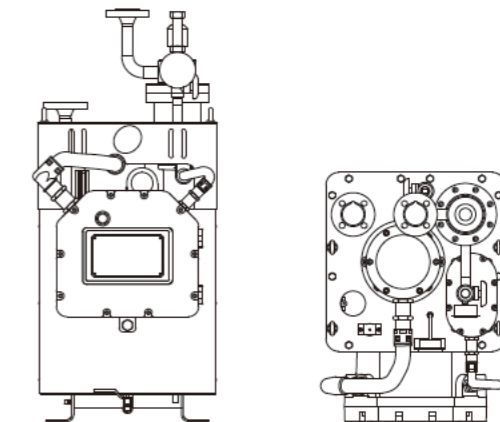
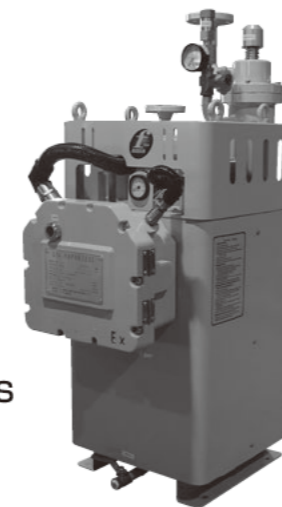
f RIZER Type S



Specifications

Items	Model	S-50	S-100	S-150	S-200	S-300
Vaporisation Capacity(LPG)		50kg/h	100kg/h	150kg/h	200kg/h	300kg/h
Heat Source	Heater Capacity	7.5kW	15kW	22.5kW	30kW	45kW
	Rated Voltage	220/380/440V 3-Phase				
Hot Water Control Temperature		60~75°C (70°C Set Point)				
Hot Water Superheat Prevention		80°C				
Liquid Carryover Protection		By means of Float Valve				
Working Pressure for Safety Valve		1.80MPa				
Inlet Pressure		0.10~1.56MPa				
Connection	Liquid Inlet Flange	Equivalent to JIS 20K20A				
	Gas Outlet Flange	Equivalent to JIS 20K20A		Equivalent to JIS 20K25A		
External Dimensions	Width	420mm	420mm	480mm	580mm	580mm
	Depth	570mm	570mm	630mm	740mm	740mm
	Height	1115mm	1183mm	1253mm	1215mm	1315mm

f RIZER ITOS



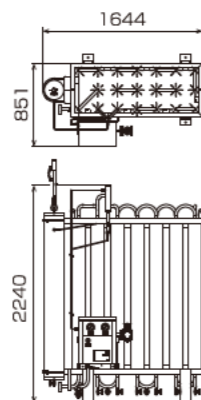
Specifications

Items	Model	ITOS-30	ITOS-50	ITOS-100	ITOS-150	ITOS-200	ITOS-300
Vaporisation Capacity (LPG)		30kg/h	50kg/h	100kg/h	150kg/h	200kg/h	300kg/h
Heat Source	Heater Capacity	4.5kW	7.5kW	15kW	22.5kW	30kW	45kW
	Rated Voltage	220V Single-Phase		220/380/440V 3-Phase			
Hot Water Control Temperature		60~80°C (75°C Set Point)					
Hot Water Superheat Prevention		85°C					
Liquid Carryover Protection		By means of Float Valve					
Working Pressure for Safety Valve		1.75MPa					
Inlet Pressure		0.10~1.60MPa					
Connection	Liquid Inlet Flange	DN20(PN25)			DN25(PN25)		
	Gas Outlet Flange	DN20(PN25)		DN25(PN25)			

Air Heating Type Vaporiser SR-SK Range for LPG Bulk Supply System



SR-50ASK

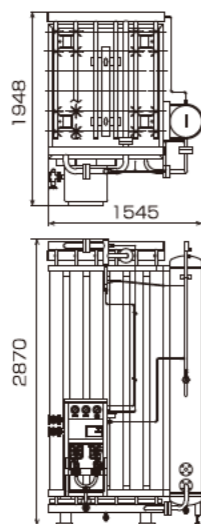


Model	SR-50ASK
Nominal Vaporising Ability Propane	50kg/h
Atmospheric Temperature	≥ -5℃
Outlet Gas Temperature	≥ -10℃
Nominal Continuous Operating Time*	4hours
Inlet Pressure	0.15~1.56MPa
Outlet Pressure	0.06~0.10MPa
Lockup Pressure	≤ 0.96MPa
Liquid Carryover Protection	Temperature Sensing Shut-Off (-20℃ Set Point)
Working Pressure for Safety Valve	0.96MPa
Liquid Inlet	JIS 20K15A Flange
Gas Outlet	JIS 20K20A Flange

*Declared at being around 1m/sec. of wind speed.



SR-100BSK

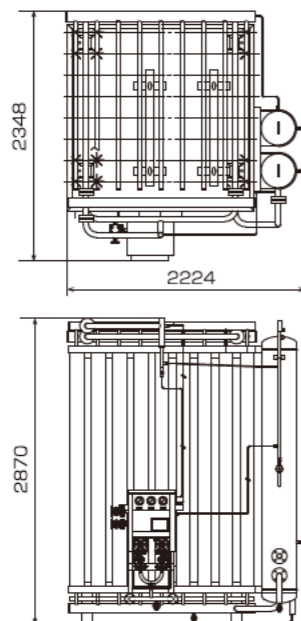


Model	SR-100BSK
Nominal Vaporising Ability Propane	100kg/h
Atmospheric Temperature	≥ -5℃
Outlet Gas Temperature	≥ -10℃
Nominal Continuous Operating Time*	10hours
Inlet Pressure	0.15~1.56MPa
Outlet Pressure	Service Side 0.09~0.11MPa Reserve Side 0.06~0.08MPa
Lockup Pressure	≤ 0.96MPa
Liquid Carryover Protection	Temperature Sensing Shut-Off (-20℃ Set Point)
Working Pressure for Safety Valve	0.96MPa
Liquid Inlet	JIS 20K15A Flange
Gas Outlet	JIS 20K25A Flange

*Declared at being around 1m/sec. of wind speed.



SR-200ASK



Model	SR-200ASK
Nominal Vaporising Ability Propane	200kg/h
Atmospheric Temperature	≥ -5℃
Outlet Gas Temperature	≥ -10℃
Nominal Continuous Operating Time*	10hours
Inlet Pressure	0.15~1.56MPa
Outlet Pressure	Service Side 0.09~0.11MPa Reserve Side 0.06~0.08MPa
Lockup Pressure	≤ 0.96MPa
Liquid Carryover Protection	Temperature Sensing Shut-Off (-20℃ Set Point)
Working Pressure for Safety Valve	0.96MPa
Liquid Inlet	JIS 20K15A Flange
Gas Outlet	JIS 20K40A Flange

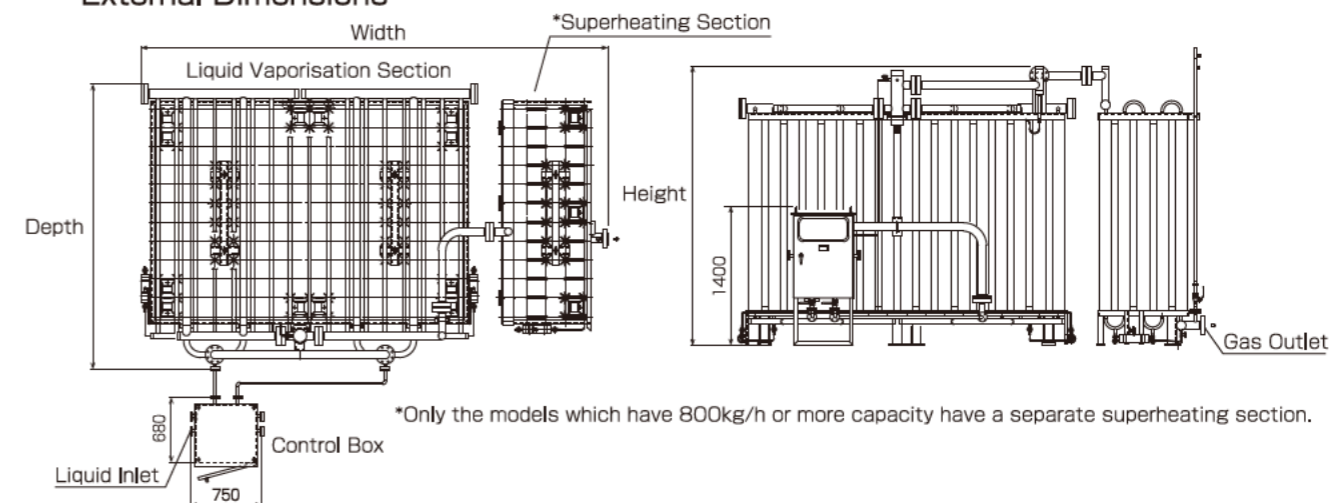
*Declared at being around 1m/sec. of wind speed.

Air Heating Type Vaporiser SR-W Range



*Long fin type, SR-WL is also available, which a minimal space requires.

External Dimensions



*Only the models which have 800kg/h or more capacity have a separate superheating section.

Specifications

Model	100W	150W	200W	300W	400W	500W	600W	700W	800W	1000W	1500W
Nominal Vaporising Ability Propane, kg/h	100	150	200	300	400	500	600	700	800	1000	1500
Atmospheric Temperature	≥ -5℃										
Outlet Gas Temperature	≥ -10℃										
Nominal Continuous Operating Time*	≤ 5hours										
Inlet pressure	0.15~1.56MPa										
Outlet Pressure	Service Side 0.10~0.12MPa Reserve Side 0.07~0.09MPa										
Liquid Carryover Protection	Temperature Sensing Shut-Off (-20℃ Set Point)										
Working Pressure for Safety Valve	1.56MPa										
Liquid Inlet	JIS20K20A Flange										
Gas Outlet	JIS20K Flange										
	25A		40A		50A		80A				
External Dimensions(mm)	Width	2032	2832	3032	2832	3632	4232	4432	4932	5812	5760
	Depth	1080	1140	1340	1740	2340	2540	2750	2950	2950	5394
	Height	2850					2900				

*Declared at being around 1m/sec. of wind speed. This vaporising ability is greatly affected by various factors. Please feel free to ask us for further information.

