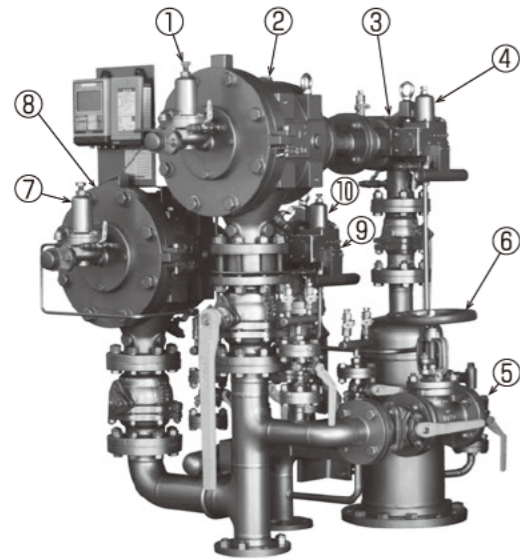


PRAD-AB Range

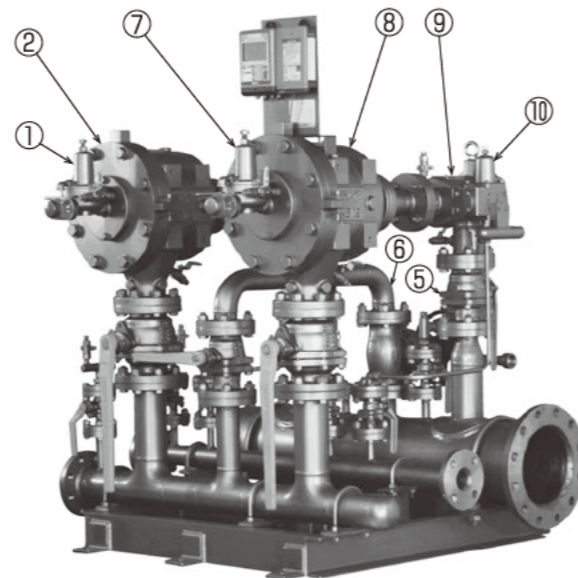
AB Governor Unit

Incorporated: (Relief) (MR-OPSO) (Strainer)

- The PRAD-AB range is a unit of pressure reducing governors from *Medium Pressure A* to *Medium Pressure B* and multiple safety devices into one same compact body.
- Widely used as an *Exclusive Governor* or a *District Governor*.
- Pilot-operated governors used, which provides outstanding stability of outlet pressure.
- The easily removable and attachable main valve to the main governor and the combined SOV and strainer filter make maintenance easier.
- 2 options, large flow rate type with an adjustable restrictor, or the high stability type with a fixed restrictor.
- The inlet and outlet directions of PRAD-AB-H can be selected from 4 options. Please specify your required mounting position when placing your order.



PRAD-AB-V Height: 1185
Width: 1174
Depth: 970



PRAD-AB-H Height: 1385
Width: 1275
Depth: 1180

Main Components

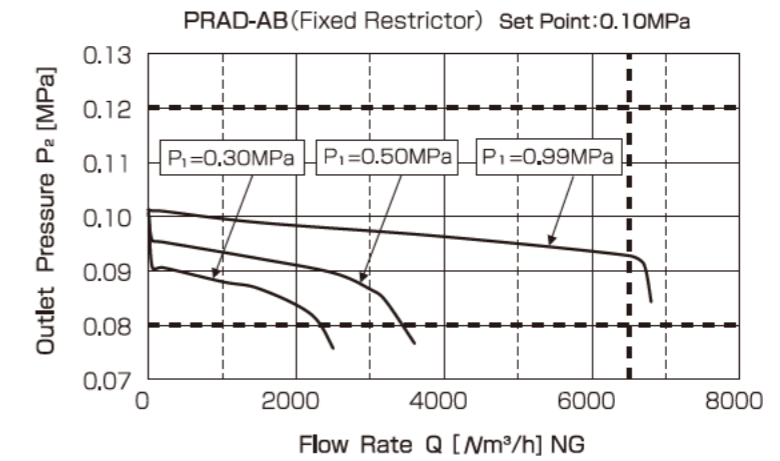
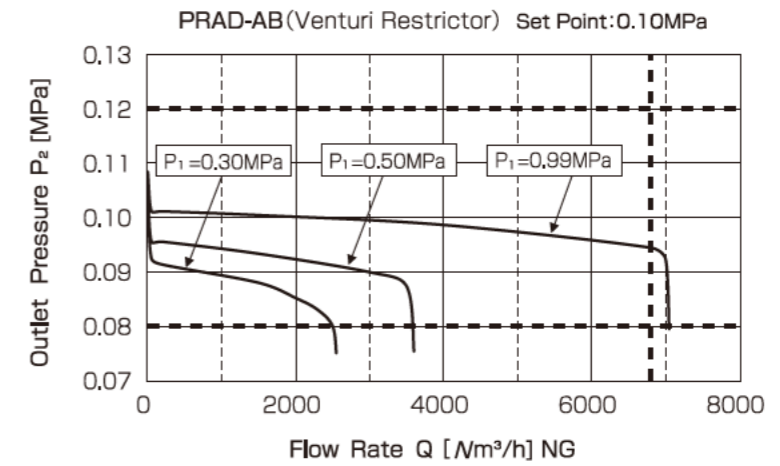
No.	Item Name
①	Main Manual-Rest OPSO
②	Main Filter
③	Main Regulator
④	Main Pilot Regulator
⑤	Safety Relief Valve
⑥	Bypass V-Port Valve
⑦	Sub Manual-Rest OPSO
⑧	Sub Filter
⑨	Sub Regulator
⑩	Sub Pilot Regulator

Specifications

Model	PRAD-AB-V (Vertical Type) PRAD-AB-H (Horizontal Type)					
	0.06	0.10	0.15	0.18	0.20	
Set Point (MPa)	0.06	0.10	0.15	0.18	0.20	
Maximum Flow Rate (Nm ³ /h)	Venturi Restrictor: 6800 Fixed Restrictor: 6500					
Inlet Pressure (MPa)	0.30~0.99					
Outlet Pressure (MPa)	Main Line	0.06	0.10	0.15	0.18	0.20
	Sub Line	0.04	0.08	0.13	0.16	0.18
Lockup Pressure (MPa)	Main Line	0.08	0.12	0.17	0.20	0.22
	Sub Line	0.06	0.10	0.15	0.18	0.20
Safety Relief Valve (MPa)	Start-to-Discharge	0.12±0.01	0.16±0.01	0.21±0.01	0.24±0.01	0.26±0.01
	Stop-to-Discharge	0.09~0.13	0.13~0.17	0.18~0.22	0.21~0.25	0.23~0.27
MR-OPSO (MPa)	Main Line	0.10	0.14	0.19	0.22	0.24
	Sub Line	0.16	0.20	0.25	0.28	0.30
Reset Method	Manual by Pulling the Red Indicator					
Inlet Connection	JIS 10K 80A Flange (FF)					
Outlet Connection	JIS 10K 200A Flange (FF)					
Sensing Line Connection	JIS 10K 50A Flange (FF)					
Strainer Mesh Gauge	400 Mesh					

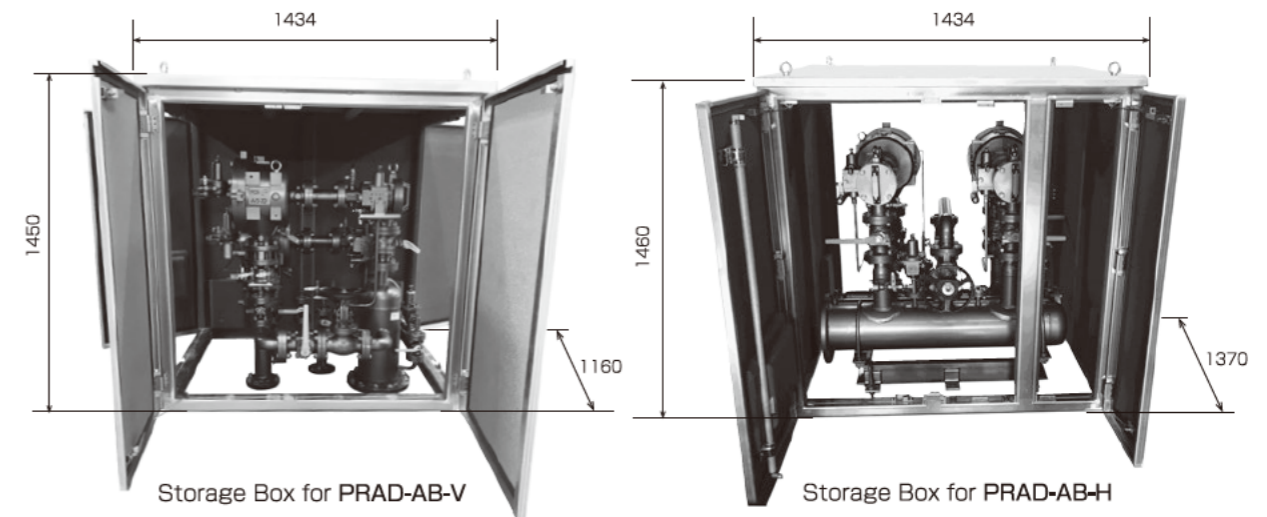
*A fine mesh strainer to prevent particles from dusty gas is also available.

Flow Rate



Storage Box

A dedicated aesthetically designed storage box offers additional protection from rain, wind and noise and providing full security.

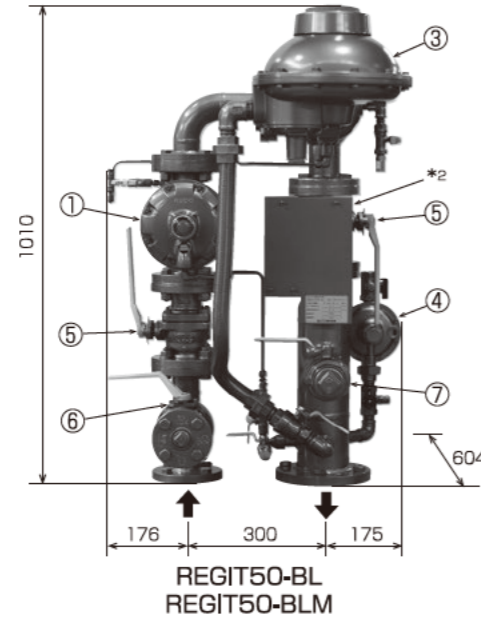
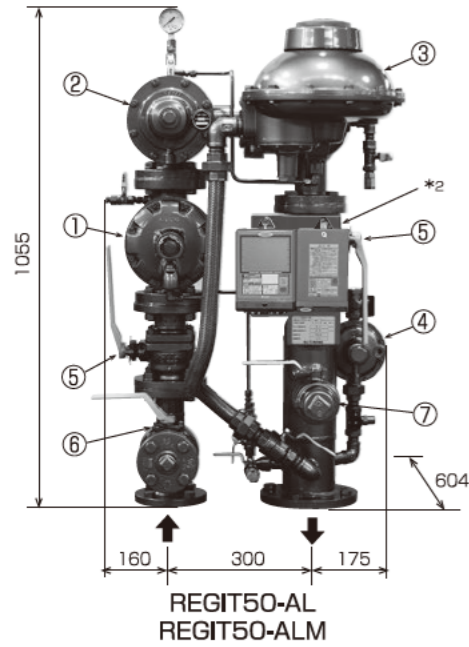


REGIT50 Range

AL/ALM Governor Unit BL/BLM Governor Unit

Incorporated : (AR-OPSO)^{*} (Relief) (MR-OPSO) (Strainer) *AL/BL only.

- The REGIT50 Range is a unit of pressure reducing governors from Medium Pressure A or B to Low Pressure or Low Intermediate Pressure and multiple safety devices into one compact body.
- Widely used as an Exclusive Governor or small-scale District Governor.
- Only direct-operated governors used, which provides outstanding quick response and easy maintenance. The ITO Active Venturi System (AVS)^{*1} enables flat flow rate characteristics different from conventional direct-operated type. ^{*1:Patented}



Main Components

No.	Item Name	Quantity	
		REGIT50-AL REGIT50-ALM	REGIT50-BL REGIT50-BLM
①	Manual-Reset OPSO	1	1
②	Medium Pressure A to B Governor	1	
③	Medium Pressure B to Low Pressure Governor/ Medium Pressure B to Intermediate Pressure Governor	1	1
④	Safety Relief Valve	1	1
⑤	Ball Valve	2	2
⑥	Ball Valve	1	1
⑦	Ball Valve	1	1

^{*2} Auto-recording pressure gauge is available as a separate accessory.

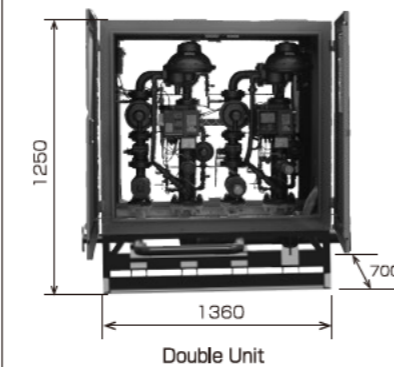
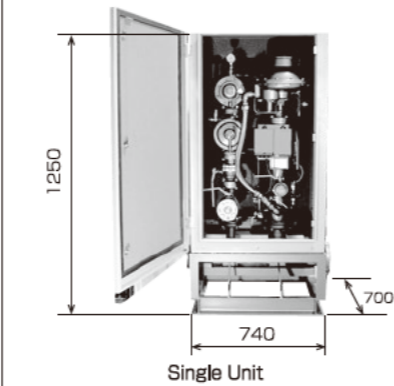
Specifications

Model	REGIT50-AL	REGIT50-BL	REGIT50-ALM	REGIT50-BLM
Maximum Flow Rate (Nm ³ /h)	550	800	730	634
Inlet Pressure (MPa)	0.30 ~ 0.99	0.06 ~ 0.30	0.30 ~ 0.99	0.06 ~ 0.30
Outlet Pressure (kPa)	1.90 ~ 2.30		9.00 ~ 20.0 ^{*3}	
Lockup Pressure (kPa)	≤ 2.50		≤ Set Point × 1.2	
Safety Relief Valve Working Pressure	2.70 ~ 8.00 kPa ^{*3}		9.00 ~ 30.0 kPa ^{*3}	
Auto-Reset OPSO	Working Pressure	≤ 5.00 kPa		
	Reset Method	Resets automatically after outlet pressure resumes its normal range.		
Manual-Reset OPSO	Working Pressure	8.00 ~ 13.0 kPa ^{*3}		9.00 ~ 30.0 kPa ^{*3}
	Reset Method	Manual Operation by the Reset Button		
Inlet Connection	JIS 10K 50A Flange (FF)			
Outlet Connection	JIS 10K 100A Flange (FF)			
Strainer Mesh Gauge	100 Mesh ^{*4}			

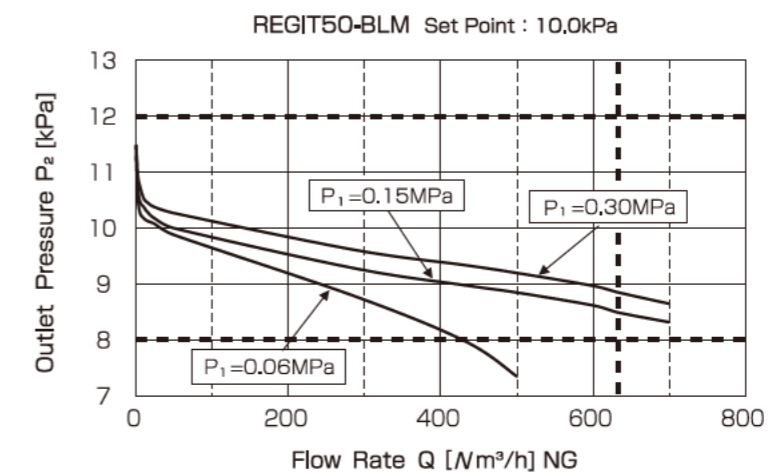
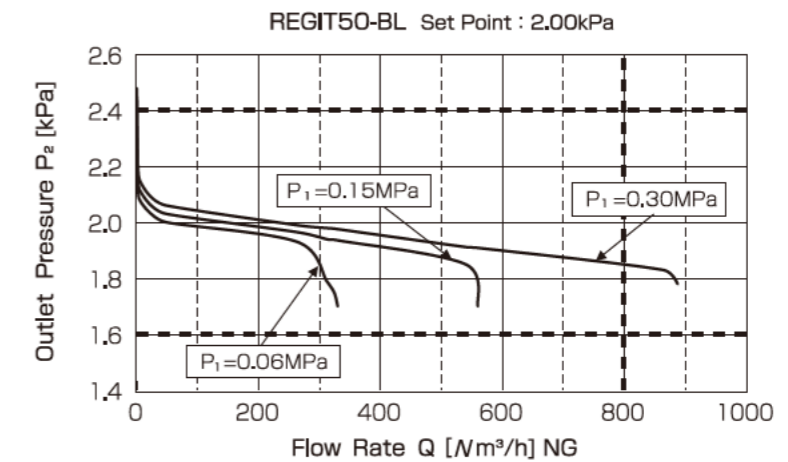
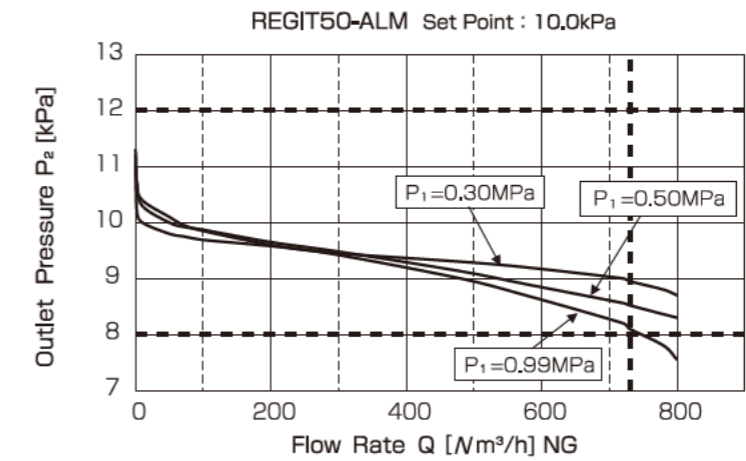
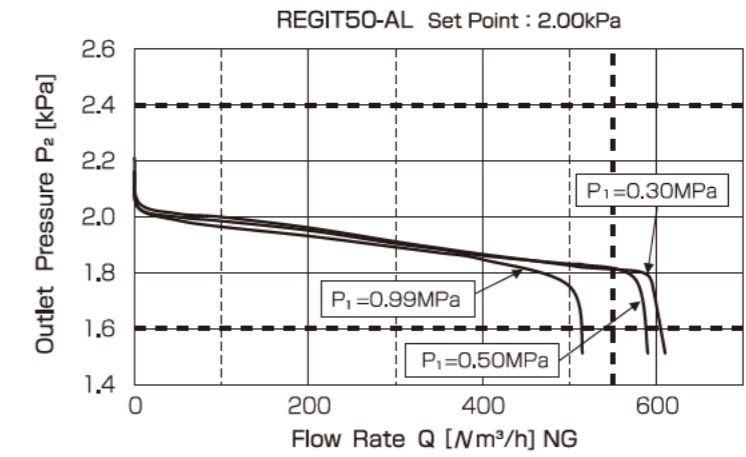
^{*3} Interchangeable springs are available.

^{*4} The strainer with 200 mesh is also available.

Mounting pipework and storage box are available as separate accessories.



Flow Rate

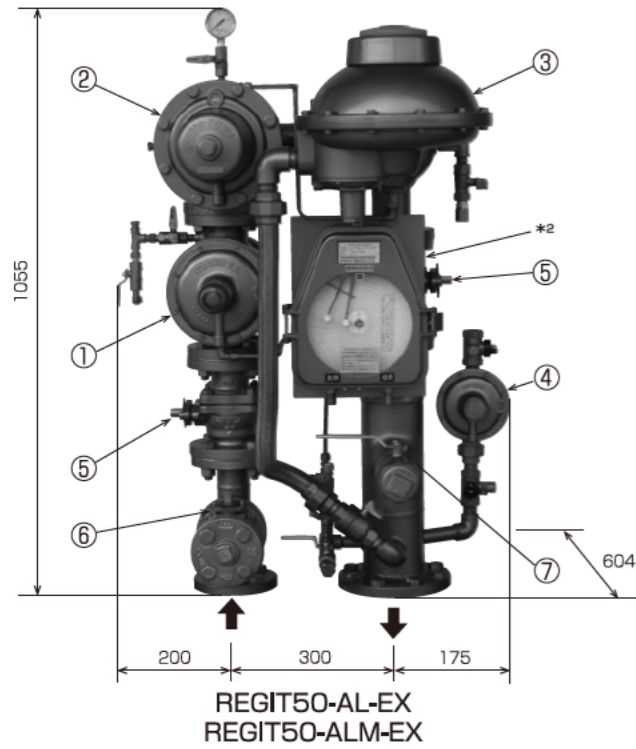


REGIT50-EX Range

AL/ALM Governor Unit

Incorporated : (AR-OPSO)^{*} (Relief) (MR-OPSO)
(Strainer) *AL only.

The REGIT50-EX range is a unit of pressure reducing governors from *Medium Pressure A* to *Low Pressure* or *Low Intermediate Pressure* and multiple safety devices into one compact body.
Simplified REGIT (see page 9~10 for more description) to achieve larger flow rate, AL 700Nm³/h*1
ALM 1,000Nm³/h
*1: AL with SGX-100 also up to 1,000m³/h at max.

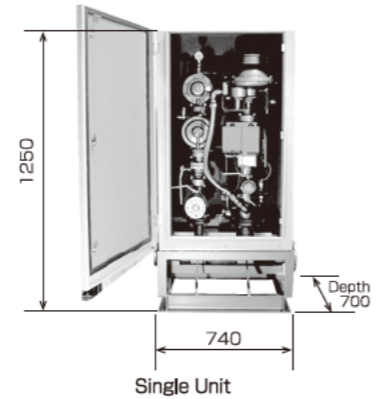


Main Components

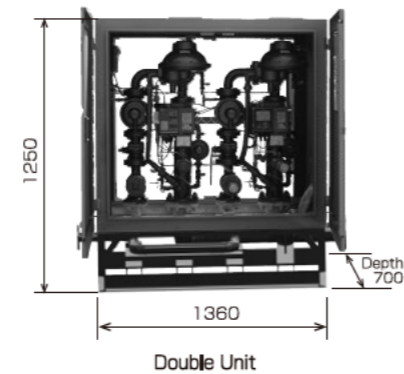
No.	Item Name	Quantity
①	Manual-Reset OPSO	1
②	Medium Pressure A to B Governor	1
③	Medium Pressure B to Low Pressure Governor/ Medium Pressure B to Intermediate Pressure Governor	1
④	Safety Relief Valve	1
⑤	Ball Valve	2
⑥	Ball Valve	1
⑦	Ball Valve	1

*2 Auto-recording pressure gauge is available as a separate accessory.

Mounting pipework and storage box are available as separate accessories.



Single Unit



Double Unit

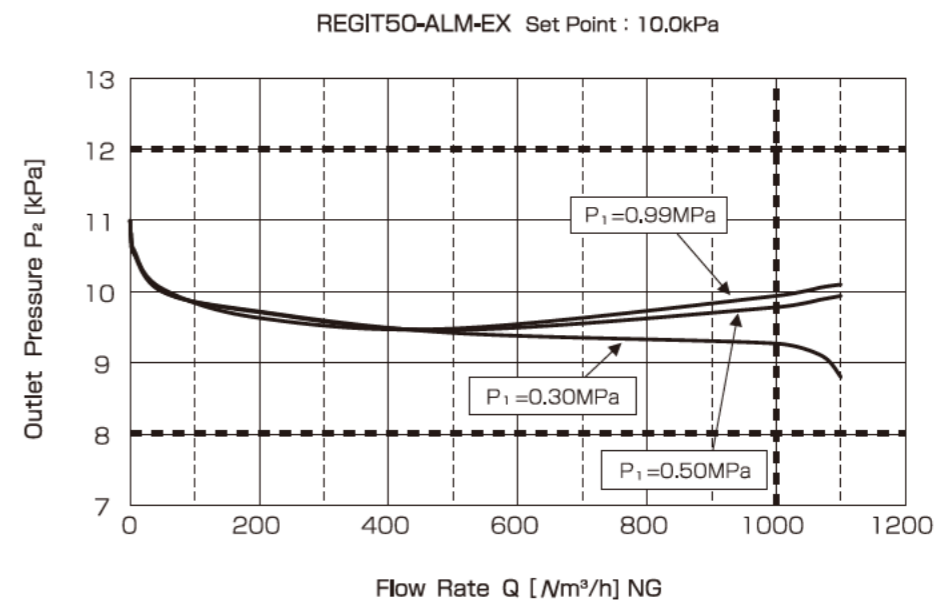
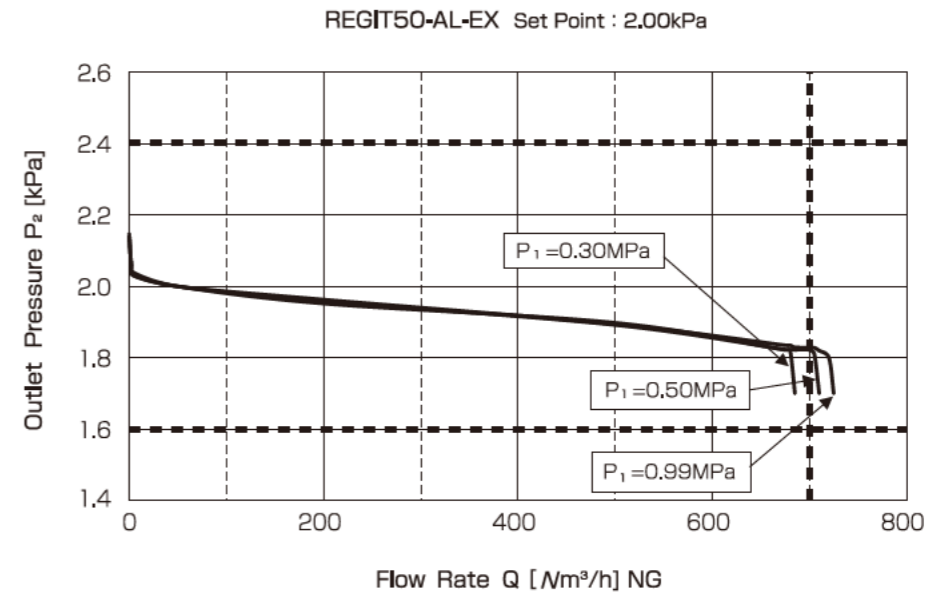
Specifications

Model	REGIT50-AL-EX	REGIT50-ALM-EX
Maximum Flow Rate(Nm ³ /h)	700	1000
Inlet Pressure(MPa)	0.30 ~ 0.99	
Outlet Pressure(kPa)	1.90~2.30	9.00 ~ 20.0 ^{*3}
Lockup Pressure(kPa)	≤2.50	≤Set Point × 1.2
Safety Relief Valve Working Pressure	2.70 ~ 8.00kPa ^{*3}	9.00 ~ 30.0kPa ^{*3}
Auto-Reset OPSO	Working Pressure	≤5.00 kPa
	Reset Method	Resets automatically after outlet pressure resumes its normal range.
Manual-Reset OPSO	Working Pressure	8.00 ~ 13.0kPa ^{*3}
	Reset Method	Manual Operation by the Reset Button
Inlet Connection	JIS 10K 50A Flange(FF)	
Outlet Connection	JIS 10K 100A Flange(FF)	
Strainer Mesh Gauge	100 Mesh ^{*4}	

*3 Interchangeable springs are available.

*4 The strainer with 200 mesh is also available.

Flow Rate

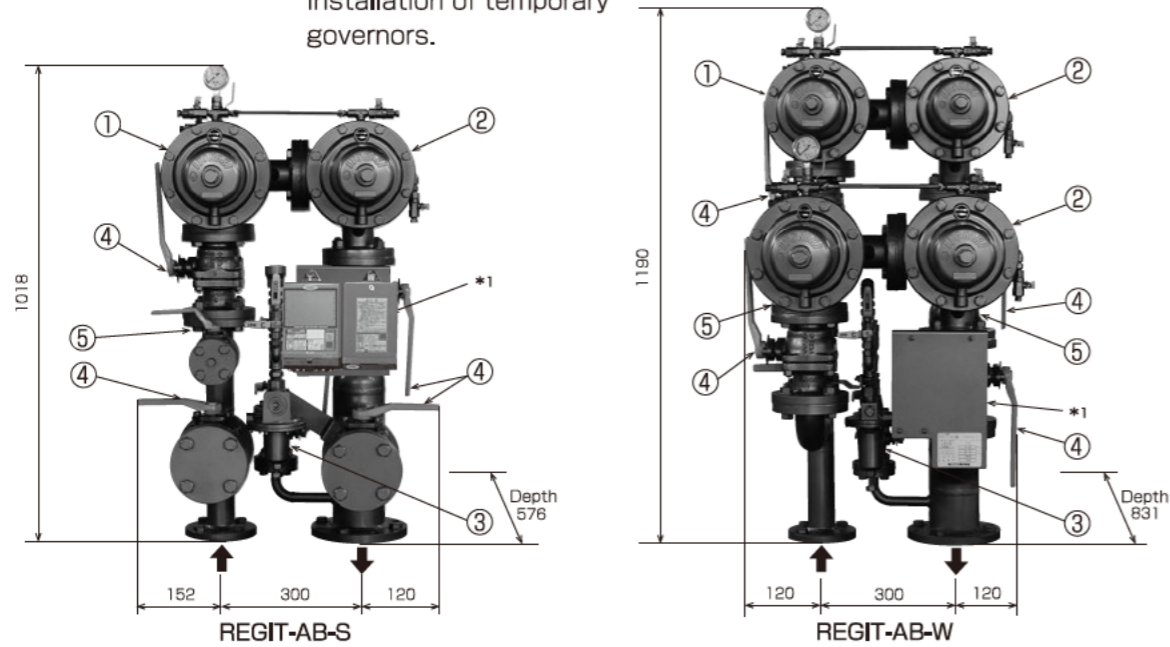


REGIT-AB Range

AB Governor Unit

Incorporated : (AR-OPSO) (Relief Strainer)

- The REGIT-AB range is a unit of pressure reducing governors from *Medium Pressure A* to *Medium Pressure B* and multiple safety devices into one same compact body regardless of the single (REGIT-AB-S) or double unit (REGIT-AB-W).
- Widely used as an *Exclusive Governor* or *small-scale District Governor*.
- Only direct-operated governors used, which provides outstanding quick response and easy maintenance.
- The REGIT-AB-W has a double line structure, which allows its use without suspending gas supply during maintenance and so does not require installation of temporary governors.



Main Components

No.	Item Name	Quantity
①	Auto-Reset OPSO	1
②	Medium Pressure A to B Governor	1
③	Safety Relief Valve	1
④	Ball Valve	4
⑤	Ball Valve	2

*Auto-recording pressure gauge is available as a separate accessory.

Main Components

No.	Item Name	Quantity
①	Auto-Reset OPSO	2
②	Medium Pressure A to B Governor	2
③	Safety Relief Valve	1
④	Ball Valve	4
⑤	Ball Valve	2

*Auto-recording pressure gauge is available as a separate accessory.

Specifications

Model		REGIT-AB-S/REGIT-AB-W		
Set Point(MPa)		0.10	0.15	0.20
Maximum Flow Rate (Nm ³ /h)		1000		
Inlet Pressure(MPa)		0.30 ~ 0.99		
Outlet Pressure (MPa)	Main Line	0.10±0.01	0.15±0.015	0.20±0.02
	Sub Line*1	0.07±0.01	0.12±0.015	0.17±0.02
Lockup Pressure (MPa)	Main Line	≤0.12	≤0.18	≤0.24
	Sub Line	≤0.084	≤0.144	≤0.204
Safety Relief Valve (MPa)	Start-to-Discharge	0.23~0.25		0.27~0.29
	Stop-to-Discharge	0.21~0.25		0.25~0.29
Auto-Reset OPSO	Working Pressure	0.15MPa	0.20MPa	0.25MPa
	Reset Method	Resets automatically after outlet pressure resumes its normal range.		
Inlet Connection		JIS 10K 50A Flange (FF)		
Outlet Connection		JIS 10K 100A Flange (FF)		
Strainer Mesh Gauge		100 Mesh*2		

*1 For REGIT-AB-W only.

*2 The strainer with 200 mesh is also available.

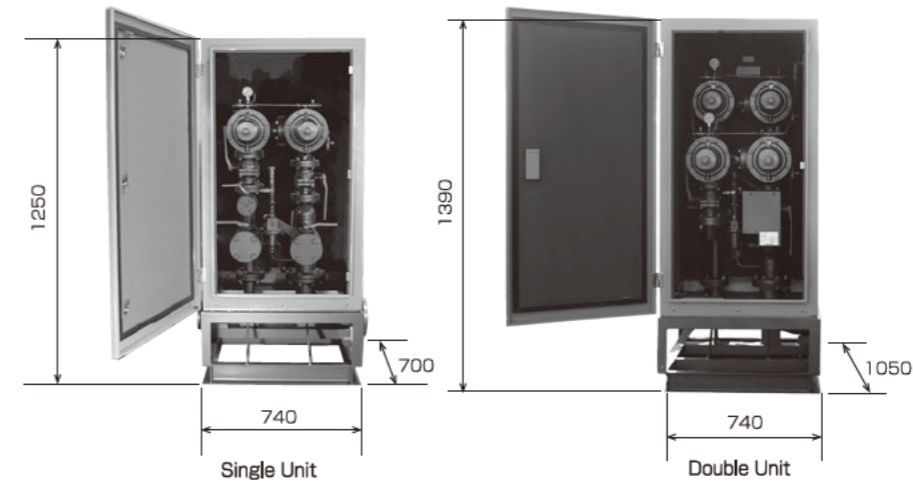
○Auto-Reset OPSO (AR-OPSO)

The ITO "AR-OSPO", an inner auto-reset type over pressure shut-off valve incorporated additionally, works to avoid outlet pressure rises if any foreign object is caught between the main valve disc and the main orifice, inner sealing failed.

○Safety Relief Valve

A valve that opens and releases overpressure into the air to prevent abnormal pressure increases.

Mounting pipework and storage box are available as separate accessories.



Flow Rate

