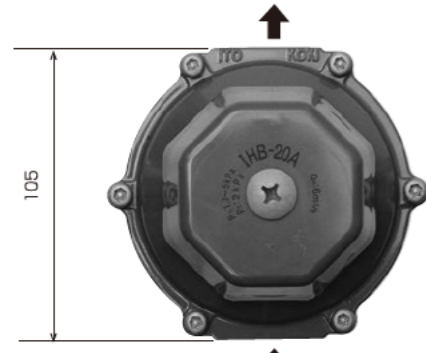


IHB-20A

Overpressure Protection Governor

- IHB-20A reduces *Low Pressure* city gas natural gas, which rises by the difference of elevation, to an appropriate level declared in the contract that supply pressure is less than 2.50 kPa for domestic meters in Japan.
- It is installed at each door at higher elevation in high-rise buildings such as multistory apartment building.



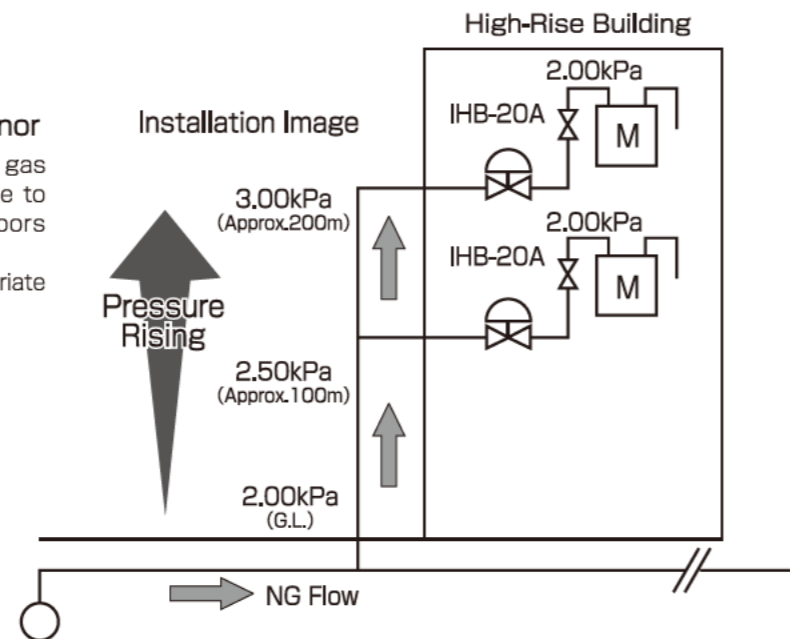
IHB-20A

Specifications

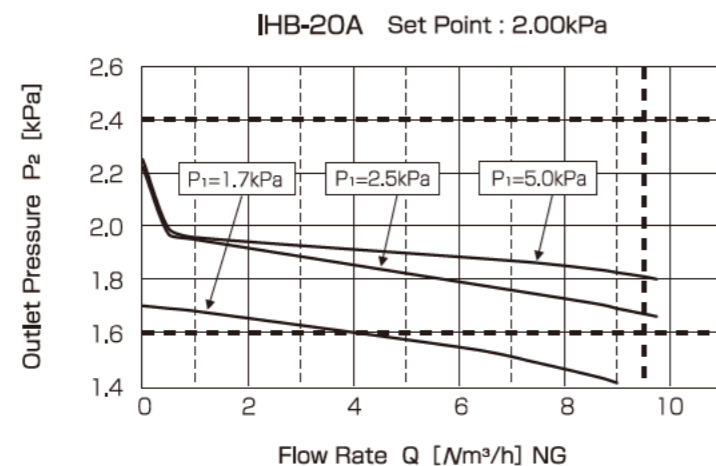
Model	IHB-20A
Maximum Flow Rate(Nm ³ /h)	9.5
Inlet Pressure(kPa)	1.70~5.00
Outlet Pressure(kPa)	1.90±0.40
Lockup Pressure(kPa)	≤ 2.50
Connection	Rc 3/4
Mounting Position (Direction of the Gas Flow)	Vertical(↑)/Horizontal

●Overpressure Protection Governor

The specific gravity of city gas natural gas is lighter than air so the pressure will rise to supply city gas natural gas to higher floors in high-rise buildings. IHB-20A reduces the pressure to an appropriate level.



Flow Rate

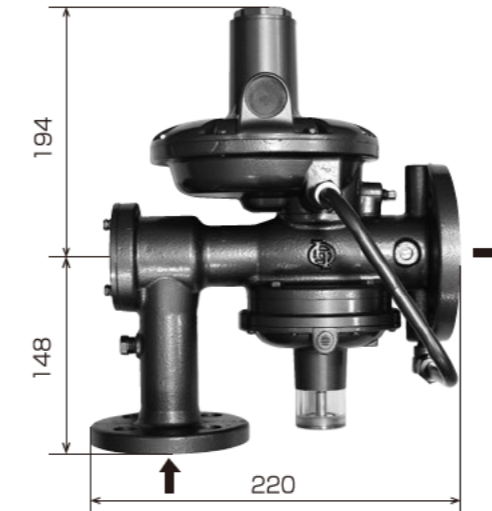


MHR-25

House Regulator

Incorporated : (Relief) (MR-OPSO) (Strainer)

- MHR-25 is a meter regulator from *Medium Pressure B* to *Low Pressure* or *Low Intermediate Pressure* and multiple safety devices into one compact body.
- Designed to supply city gas natural gas for meters with outstanding quick response and flat flow rate characteristics.



MHR-25

Specifications

Model	MHR-25	
Maximum Flow Rate(Nm ³ /h)	140	
Inlet Pressure	0.05~0.30MPa	
Outlet Pressure	1.50~20.0kPa*1	
Lockup Pressure	≤ 2.50kPa*2	
Safety Relief Valve	Start-to-Discharge	3.20±0.40kPa*2
	Stop-to-Discharge	2.52~3.60kPa*2
Manual-Reset OPSO	Working Pressure	4.20±0.40kPa*2
	Reset Method	Manual by Pulling the Indicator
Inlet Connection	JIS 10K 25A Flange (FF)	
Outlet Connection	JIS 10K 40A Flange (FF)	
Strainer Mesh Gauge	150 Mesh	

*1 Interchangeable springs are available.
*2 Based on 2.00 kPa set point.

Interchangeable Spring Selection

No.	②	③	④
Set Point Range(kPa)	1.50~3.00	3.00~5.00	5.00~8.00
No.	⑤	⑥	
Set Point Range(kPa)	8.00~13.0	13.0~20.0	

■ shows the standard spring.

○Safety Relief Valve

A valve that opens and releases overpressure into the air to prevent abnormal pressure increases.

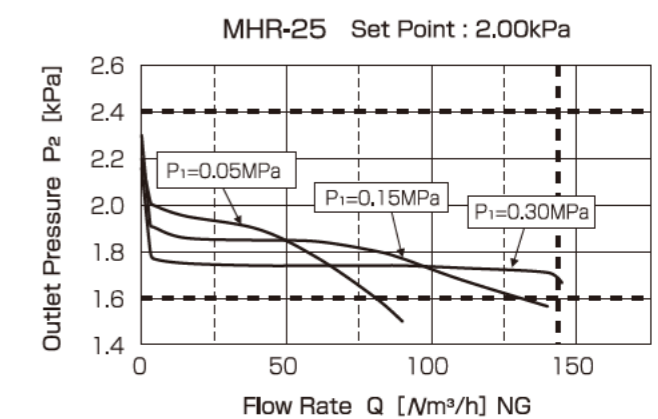
○Manual-Reset OPSO (MR-OPSO)

The ITO "MR-OPSO," a manual-reset type OPSO, shuts off gas upstream of pressure governor to avoid abnormal pressure increases. Manual reset type overpressure shut-off valve to be reset by pulling the indicator.

Storage Box for MHR-25



Flow Rate



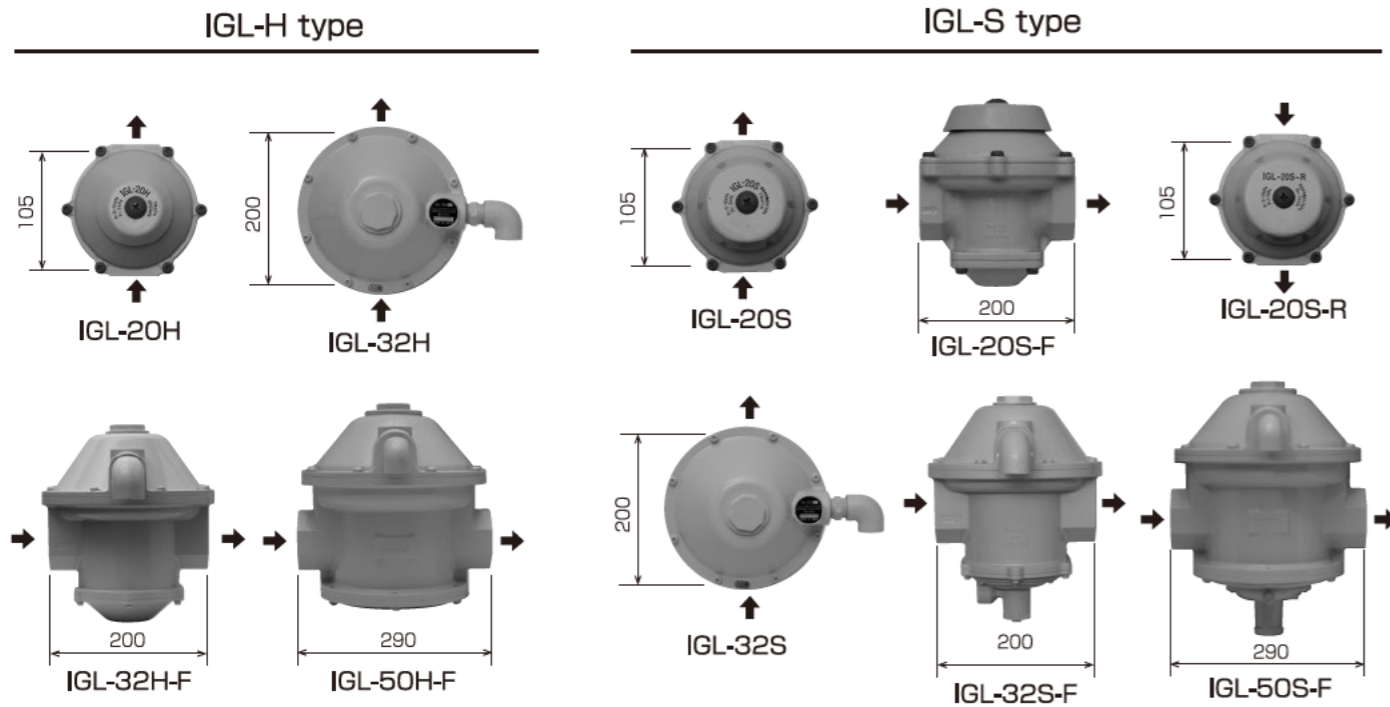
IGL Range

House Regulator

Incorporated: (AR-OPSO^{*1}) or (Relief^{*2}) (Strainer)

*1 IGL-H range for indoor installation only.
*2 IGL-S range for outdoor installation only.

- The IGL range is a meter regulator from *Low Pressure* or *Low Intermediate Pressure* to *Low Pressure*.
- The (AR-OPSO) incorporated for H type for indoor use.
- The (Relief) incorporated for the S type for outdoor use.
- Designed to supply city gas natural gas for low pressure meters.
- *IGL-50S-F combines both AR-OPSO and safety relief valve.

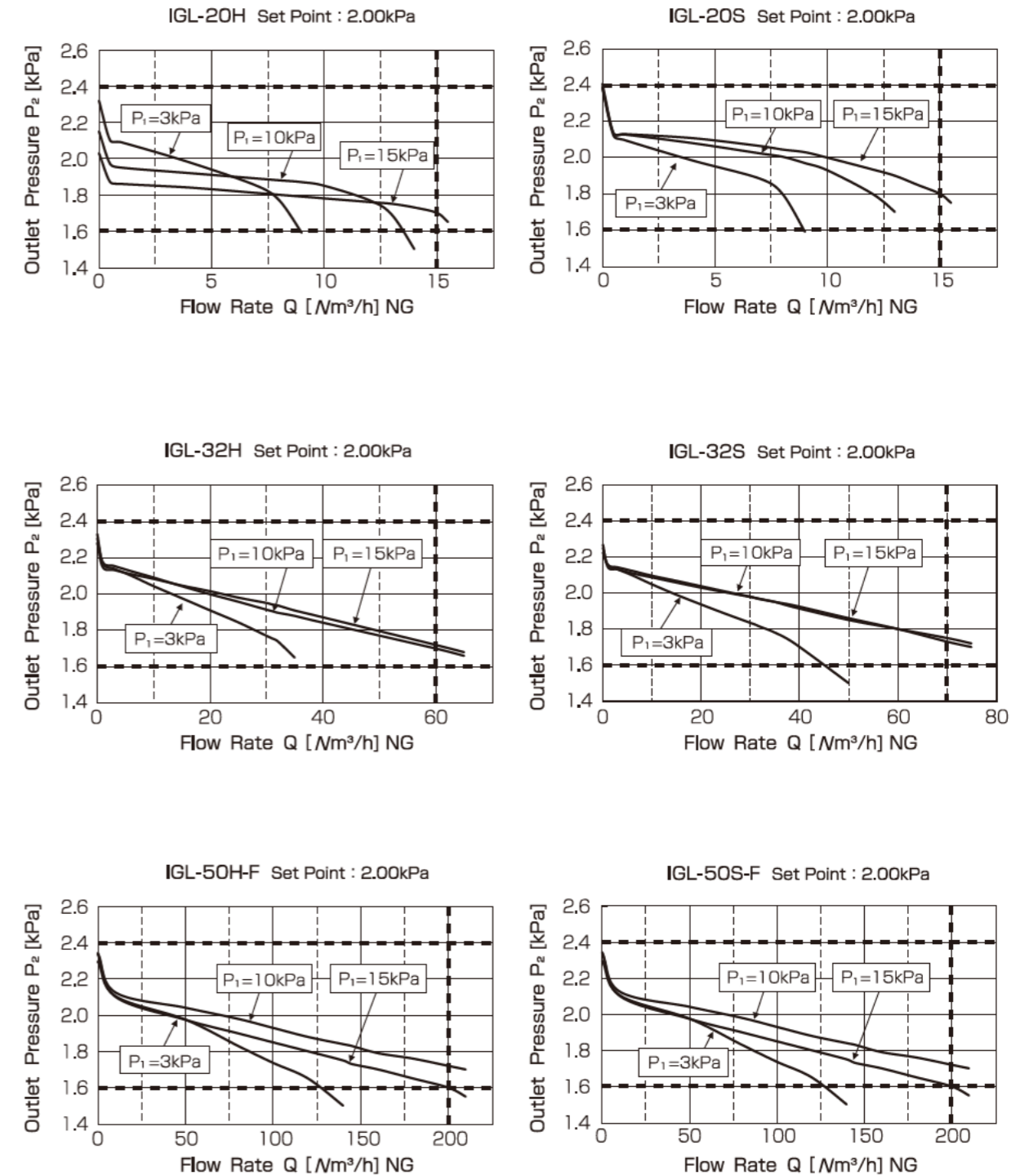


Specifications

Model	IGL-20H	IGL-32H	IGL-32H-F	IGL-50H-F	IGL-20S	IGL-20S-F	IGL-20S-R	IGL-32S	IGL-32S-F	IGL-50S-F
Maximum Flow Rate (Nm ³ /h)	15	60	200		15			70		200
Inlet Pressure	3.00~15.0kPa									
Outlet Pressure	2.00±0.30kPa									
Lockup Pressure	≤2.50kPa									
Auto-Reset OPSO	Working Pressure ≤5.00kPa									
Safety Relief Valve	Start-to-Discharge 5.60~8.40kPa									
	Stop-to-Discharge 5.04~8.40kPa									
Connection	Rc3/4	Rc1 1/4	Rc2		Rc3/4			Rc1 1/4		Rc2
Strainer Mesh Gauge	125 Mesh	150 Mesh			125 Mesh			150 Mesh		
Installation Site	Indoor				Outdoor					
Mounting Position (Direction of the Gas Flow) *3	Vertical (↑)	Horizontal			Vertical (↑)	Horizontal	Vertical (↓)	Vertical (↑)		Horizontal

*3 If you need to change the standard mounting position, please inform us when placing your order.
It is essential to adjust the setting pressure and to change the direction of the waterproof vent protector.

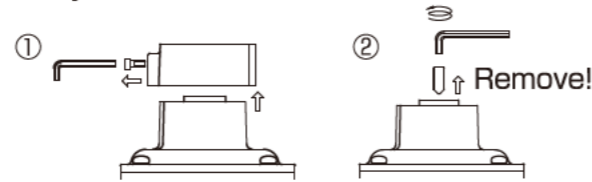
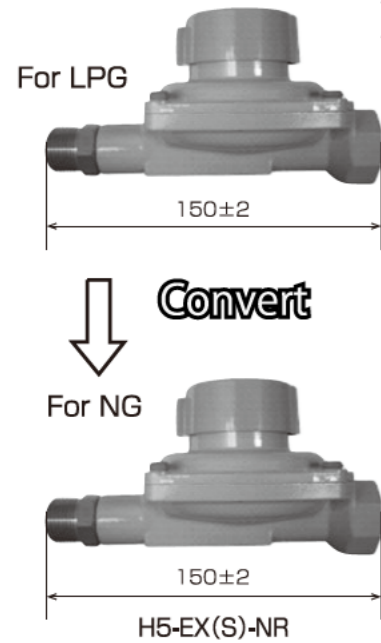
Flow Rate



H5-EX(S)-NR

House Regulator

- H5-EX(S)-NR is a meter regulator from medium pressure to low pressure.
- Designed to supply gas for low pressure meters.
- Even if you convert a gas from LPG to NG after installation, you can change the set point from LPG to NG by an easy operation. To do this remove an inner adjusting screw and it will still ensure a proper and stable gas supply, there is no need to exchange your fixed-type meter regulator and no need to adjust it manually.

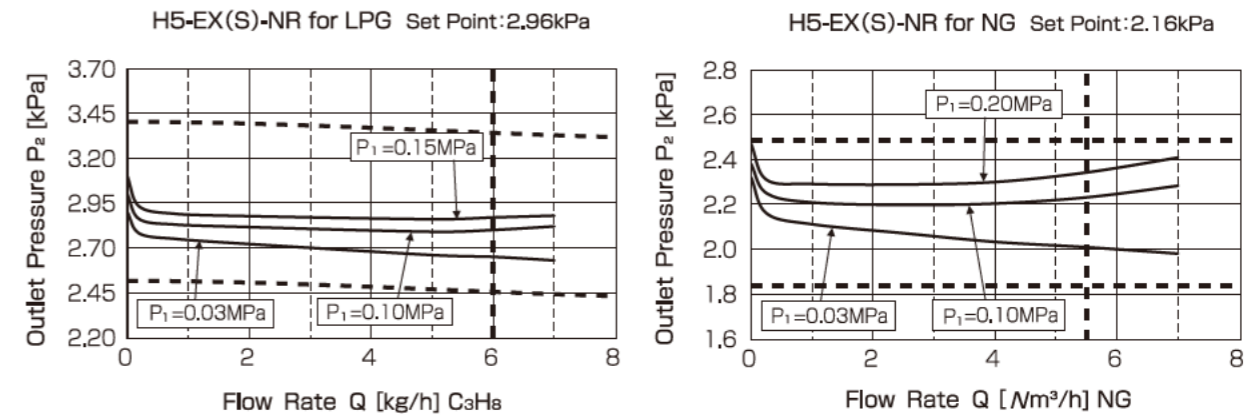


Specifications

Model	H5-EX(S)-NR	
Gas Type	LPG	NG
Maximum Flow Rate	6kg/h	5.5m ³ /h(normal)
Inlet Pressure	0.03~0.15MPa	0.03~0.20MPa
Outlet Pressure	2.96±0.44kPa	2.16±0.32kPa
Lockup Pressure	≤3.50kPa	≤2.70kPa
Inlet Connection	R1/2	
Outlet Connection	Rc1/2	

*An inner safety relief valve is not incorporated.
*Unless otherwise specified, the product is preset at the factory for LPG use.

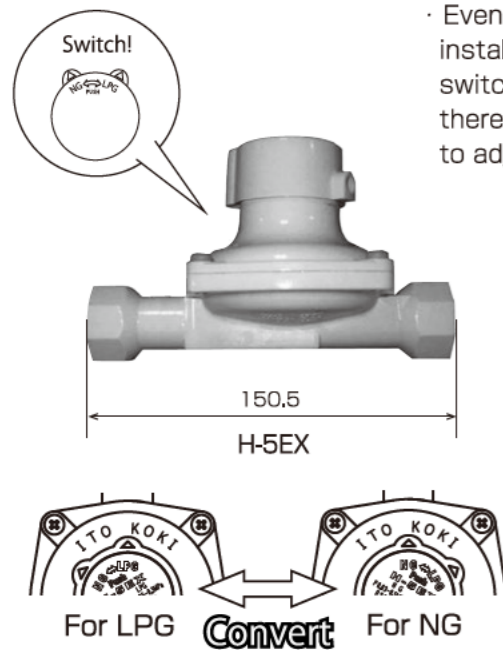
Flow Rate



H-5EX

House Regulator

- H-5EX is a meter regulator from medium pressure to low pressure.
- Designed to supply gas for low pressure meters.
- Even if you convert a gas from LPG to NG or from NG to LPG after installation, you can change the set point by an easy operation. To do this switch the cover cap and it will still ensure a proper and stable gas supply, there is no need to exchange your fixed-type meter regulator and no need to adjust it manually.

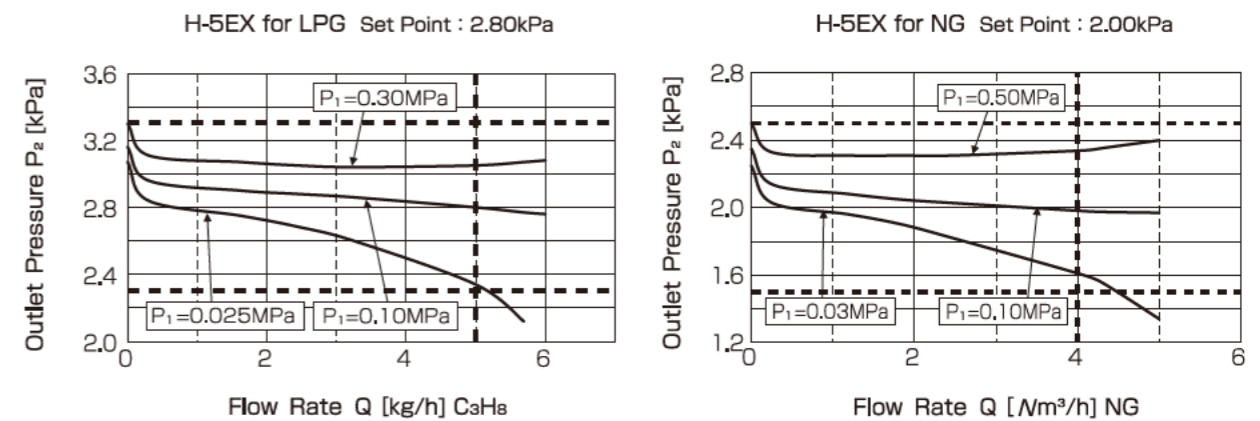


Specifications

Model	H-5EX	
Gas Type	LPG	NG
Maximum Flow Rate	5.0kg/h	4.0m ³ /h(normal)
Inlet Pressure	0.025~0.30MPa	0.03~0.5MPa
Outlet Pressure	2.80±0.50kPa	2.00±0.50kPa
Lockup Pressure	≤3.50kPa	≤2.70kPa
Inlet Connection	Rc1/2	
Outlet Connection	Rc1/2	

* Please specify with or without a safety relief valve when placing your order.
* Unless otherwise specified, the product is preset at the factory for LPG use.

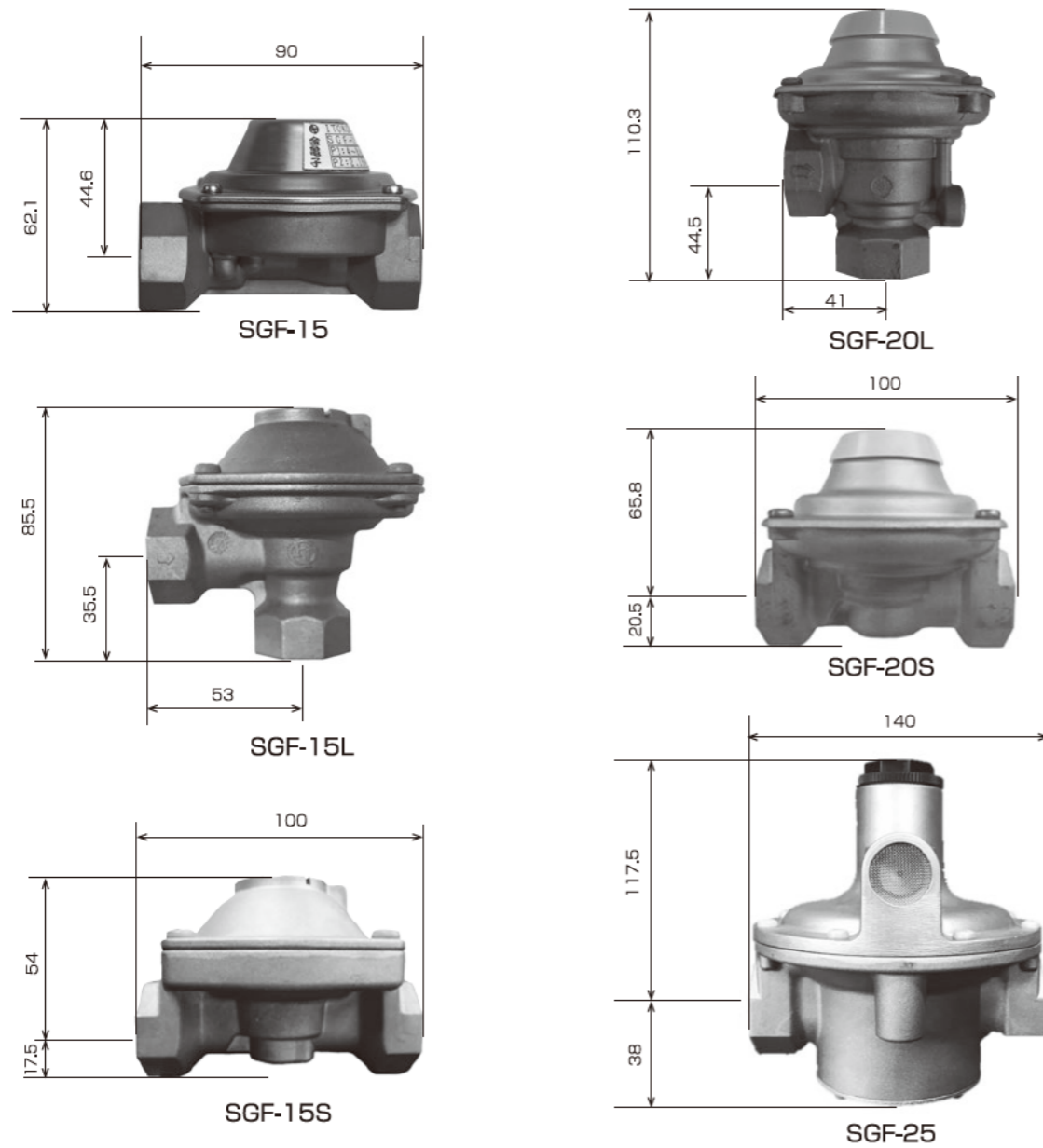
Flow Rate



SGF Range

House Regulator

- The SGF range is a meter regulator from low pressure to low pressure with a large capacity driven by low differential pressure for city gas natural gas.
- Indoor installation only.
- Installed at each door at higher elevation in high-rise buildings such as multistory apartment building and reduces low pressure city gas natural gas, which rises by the difference of elevation, to an appropriate level.



Specifications

Model	SGF-15	SGF-15L	SGF-15S	SGF-20L	SGF-20S	SGF-25
Maximum Flow Rate(Nm³/h)	5.5	6.5	6.5	9	9	48.3
Inlet Pressure(kPa)	4.00~8.00	2.30~10.0	2.30~10.0	2.30~10.0	2.30~10.0	5.00~10.0
Outlet Pressure(kPa)	2.16±0.32					
Lockup Pressure(kPa)	≤2.70					
Connection	Rc 1/2			Rc3/4		Rc1
Strainer Mesh Gauge	N/A	60 Mesh				

Flow Rate

