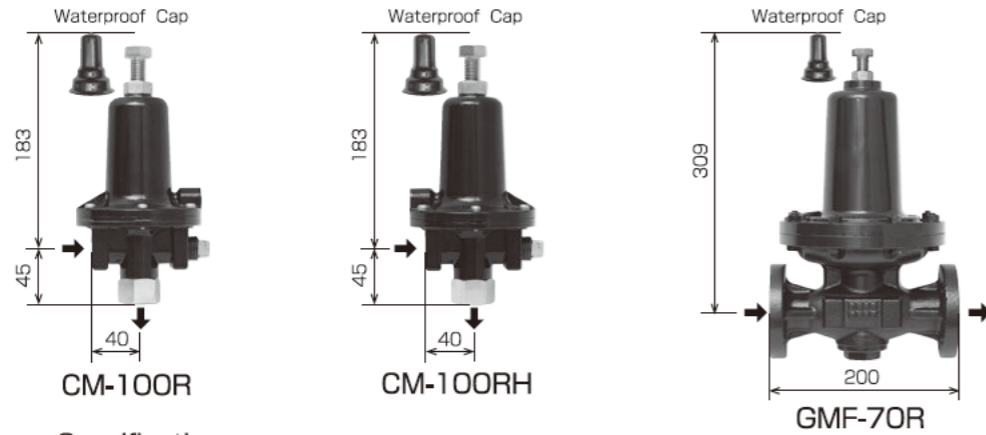


CM-R/GMF-R/SGX-R/SG-R Range

Safety Relief Valve

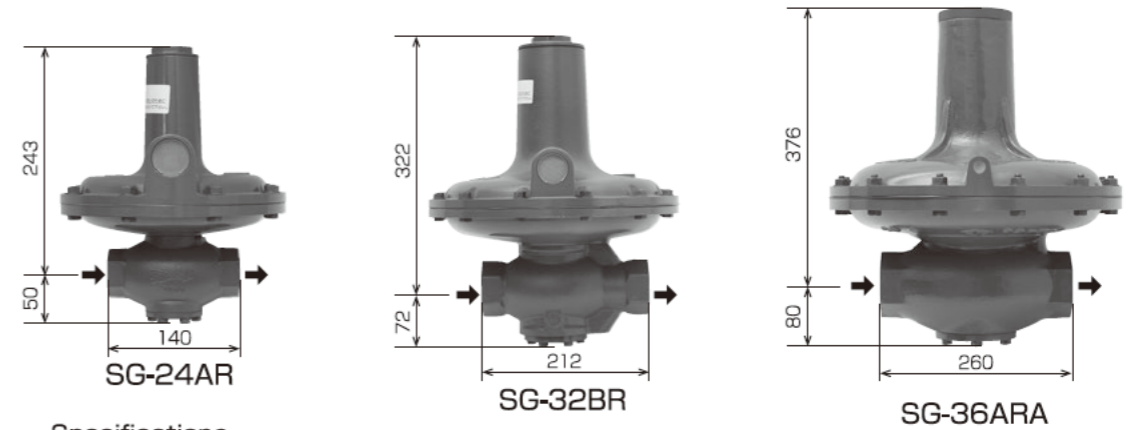
- Overpressure relief to prevent abnormal pressure increases if the inner sealing failed or temperature increased in the pipeline.
- Simply install it on the pipeline and this direct-operated valve performs its function.
- The large diaphragm in these valves gives extremely sensitive and stable operation.
- Resets automatically after outlet pressure resumes its normal range.



Specifications

| Model | CM-100R | CM-100RH | GMF-70R |
|--------------------|----------------|--------------|------------------------|
| Start-to-Discharge | 0.02~0.15MPa*1 | 0.02~0.28MPa | 0.02~0.15MPa*1 |
| Connection | Rc 1/2 | | JIS 10K 20A Flange(FF) |

*1 Interchangeable springs are available.



Specifications

| Model | SG-24AR | SG-32BR | SG-36ARA |
|--------------------|----------------|----------|----------|
| Start-to-Discharge | 1.00~20.0kPa*3 | | |
| Connection | Rc 1 | Rc 1 1/2 | Rc 2 |

*3 Interchangeable springs are available.

Interchangeable Spring Selection

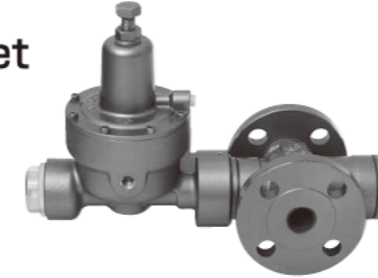
See the following pages for further information regarding springs.

- CM-100R → CM-100 (Page 44)
- GMF-70R → GMF-70 (Page 44)
- SGX-R Range → SGX Range (Page 35)
- SG-R Range → SG Range (Page 31)

HCV Range

Manual-Reset OPSO

Incorporated: (Strainer)



- A manual-reset type OPSO, shuts off gas to avoid abnormal pressure increases at the regulator outlet in case of regulator failure.
- Reset by pushing a reset button.
- Activated by gas pressure loading to the diaphragm chamber.

Specifications

| Model | HCV-20-M | HCV-25-M | HCV-50 | HCV-50-M | HCV-50-MA-L | HCV-50-MA-S |
|-------------------------------------|---------------------------|------------------------|------------------------|---------------|--------------|-------------|
| Pressure Range | 0.20~1.56MPa | | 0.06~0.99MPa | | | |
| Adjustable Operating Pressure Range | 0.08~0.30MPa | | 0.003~0.03 MPa*1 | 0.06~0.30 MPa | 0.30~0.85MPa | |
| Air-Tightness Test | Body | 1.80MPa | | 1.10MPa | | |
| | Diaphragm | 0.33MPa | 0.033MPa | 0.33MPa | 1.10MPa | |
| Hydrostatic Test | Body | 2.70MPa | | 1.50MPa | | |
| | Diaphragm | 0.80MPa | 0.045MPa | 0.45MPa | 1.50MPa | |
| Connection | JIS 20K 20A Flange(RF) | JIS 20K 25A Flange(RF) | JIS 10K 50A Flange(FF) | | | |
| Impulse Line Connector | Rc1/4 | | | | | |
| Face-to-Face Dimension | 130mm | | 260mm | 122mm×175mm | 260mm | |
| Working Temperature Range | -5~60°C | | -15~60°C | | | |
| Strainer Mesh Gauge | 60 Mesh | | 100 Mesh | | | |
| Mounting Position | Horizontal or Vertical *2 | | | | | |

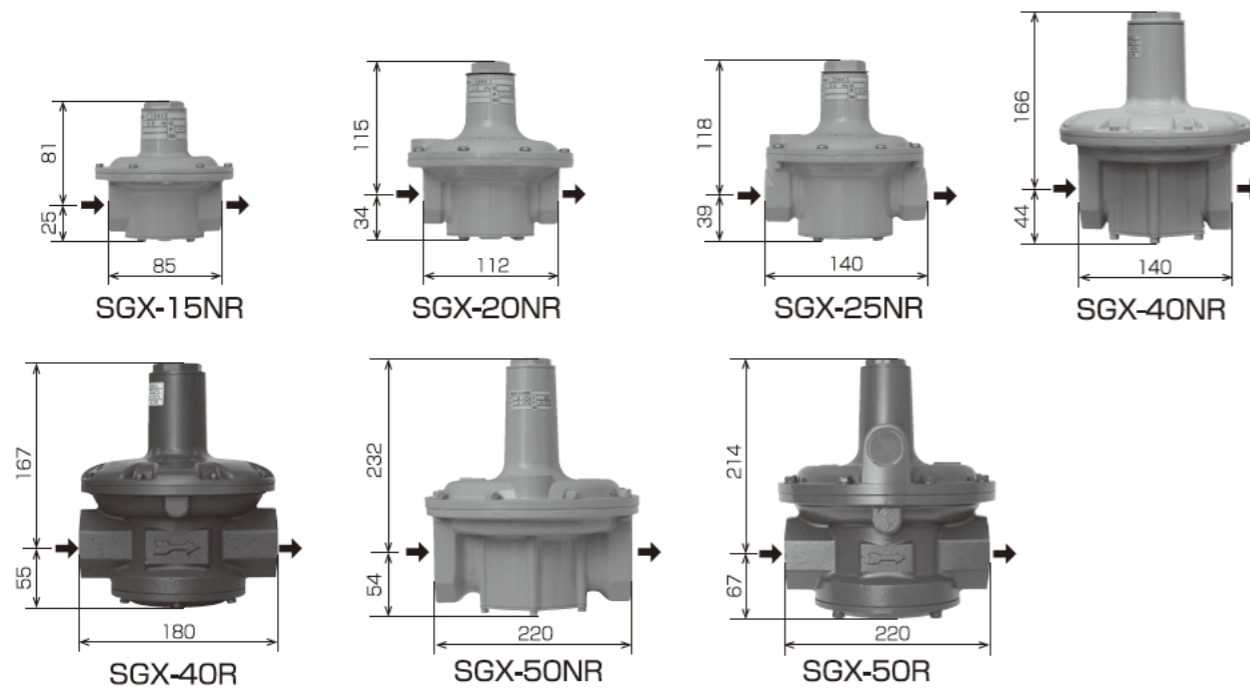
*1 Interchangeable springs are available.

*2 If the mounting position is known, please inform us when placing your order. It is essential to change the direction of the cover to prevent rainwater ingress.

Interchangeable Spring Selection

| No. | ① | ② | ③ | ④ | ⑤ | ⑥ |
|----------------------|-----------|-----------|-----------|-----------|-----------|-----------|
| Set Point Range(kPa) | 6.80~8.00 | 8.00~13.0 | 12.0~21.0 | 21.0~30.0 | 28.0~40.0 | 3.00~5.00 |

■ shows the standard spring.



Specifications

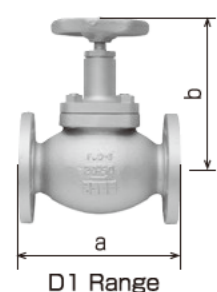
| Model | SGX-15NR | SGX-20NR | SGX-25R | SGX-40NR | SGX-40R | SGX-50NR | SGX-50R |
|--------------------|-----------------|----------|---------|----------|---------|----------|---------|
| Start-to-Discharge | 1.00~20.0kPa *2 | | | | | | |
| Connection | Rc 1/2 | Rc 3/4 | Rc 1 | Rc 1 1/2 | Rc 2 | | |

*2 Interchangeable springs are available.

High Pressure Valves

High Pressure Valves · We offer a wide range of valves to meet various usage.

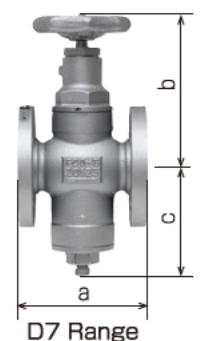
Incorporated: (Strainer)*
*D7 range only.



D1 Range

Specifications

| Model | D1-15F | D1-20F | D1-25F | D1-40F | D1-50F |
|---------------------------|---------------------|---------|---------|---------|---------|
| Pressure Range | ≤2.40MPa | | | | |
| Air-Tightness Test | 2.50MPa | | | | |
| Hydrostatic Test | 4.00MPa | | | | |
| Connection | JIS 20K Flange (RF) | | | | |
| | 15A | 20A | 25A | 40A | 50A |
| Dimensions(a×b)(mm) | 110×118 | 120×126 | 130×156 | 180×183 | 220×205 |
| Working Temperature Range | -5~60°C | | | | |



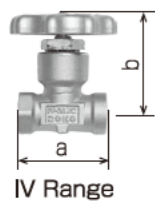
D7 Range

Specifications

| Model | D7-15F | D7-20F | D7-25F |
|---------------------------|---------------------|------------|-------------|
| Pressure Range | ≤2.40MPa | | |
| Air-Tightness Test | 2.50MPa | | |
| Hydrostatic Test | 4.00MPa | | |
| Connection | JIS 20K Flange (RF) | | |
| | 15A | 20A | 25A |
| Dimensions(a×b×c)(mm) | 110×118×78 | 120×127×94 | 130×155×110 |
| Working Temperature Range | -5~60°C | | |
| Strainer Mesh Gauge | 100 Mesh | | |

Specifications

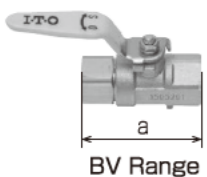
| Model | IV-206C | IV-215B |
|---------------------------|----------|---------|
| Pressure Range | ≤2.40MPa | |
| Air-Tightness Test | 2.50MPa | |
| Hydrostatic Test | 4.00MPa | |
| Connection | Rc 1/4 | Rc 1/2 |
| | 45×51 | 65×65 |
| Working Temperature Range | -35~60°C | |



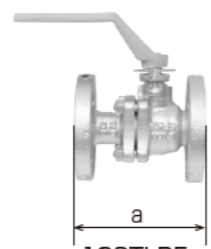
IV Range

Specifications

| Model | BV-206 | BVC-06 |
|---------------------------|----------|--------|
| Pressure Range | ≤1.56MPa | |
| Air-Tightness Test | 1.80MPa | |
| Hydrostatic Test | 2.70MPa | |
| Connection | Rc 1/4 | Rc 1/4 |
| | 52 | 53 |
| Working Temperature Range | -25~60°C | |



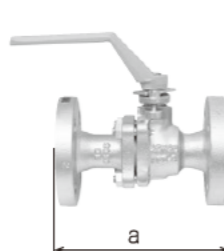
BV Range



10STLBF
*Supplied by ITO.

Specifications

| Model | 10STLBF |
|---------------------------|-----------------------------------|
| Pressure Range | ≤1.18MPa |
| Air-Tightness Test | 1.28MPa |
| Hydrostatic Test | 2.06MPa |
| Connection | JIS 10K Flange (FF) |
| | 15A 20A 25A 32A 40A 50A |
| Dimension (a)(mm) | 108 117 127 140 165 178 |
| Working Temperature Range | -5~80°C |



20STLB
*Supplied by ITO.

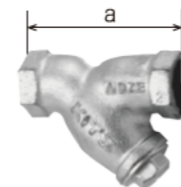
Specifications

| Model | 20STLB |
|---------------------------|-----------------------------|
| Pressure Range | ≤2.40MPa |
| Air-Tightness Test | 2.50MPa |
| Hydrostatic Test | 3.60MPa |
| Connection | JIS 20K Flange (RF) |
| | 15A 20A 25A 40A 50A |
| Dimension (a)(mm) | 140 152 165 178 190 |
| Working Temperature Range | -10~80°C |

Accessories & Other Equipment

Y-Type Strainers

- Filters any foreign bodies such as pipe scale or rust coming from the upstream pipework.
- Designed so that collected solids can be disposed of and the filter cleaned without having to be removed from the line.



10FDY



10FDYBF

Specifications

| Model | 10FDY | | | | | | | | | |
|------------------|--------|--------|--------|--------|------|----------|----------|------|----------|------|
| Connection | Rc 1/4 | Rc 3/8 | Rc 1/2 | Rc 3/4 | Rc 1 | Rc 1 1/4 | Rc 1 1/2 | Rc 2 | Rc 2 1/2 | Rc 3 |
| Dimension(a)(mm) | 65 | 70 | 85 | 100 | 115 | 135 | 150 | 180 | 220 | 250 |

*Supplied by ITO.

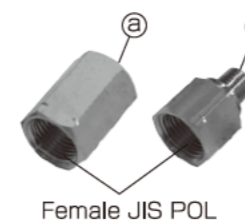
Specifications

| Model | 10FDYBF | | | | | | | | | | | | | |
|------------------|---------------------|-----|-----|-----|-----|-----|-----|-----|------|------|------|------|------|------|
| Connection | JIS 10K Flange (FF) | | | | | | | | | | | | | |
| | 15A | 20A | 25A | 32A | 40A | 50A | 65A | 80A | 100A | 125A | 150A | 200A | 250A | 300A |
| Dimension(a)(mm) | 125 | 140 | 150 | 170 | 190 | 230 | 305 | 360 | 415 | 465 | 515 | 580 | 680 | 800 |

*Supplied by ITO.

POL Adapters

· Male JIS POL × PT thread adapter



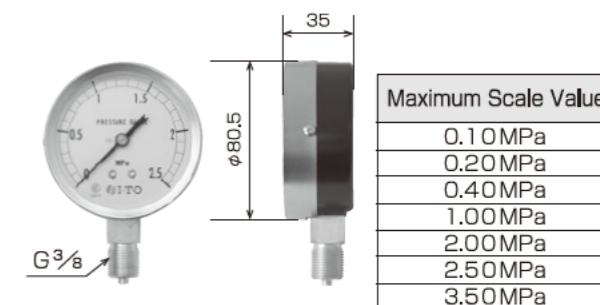
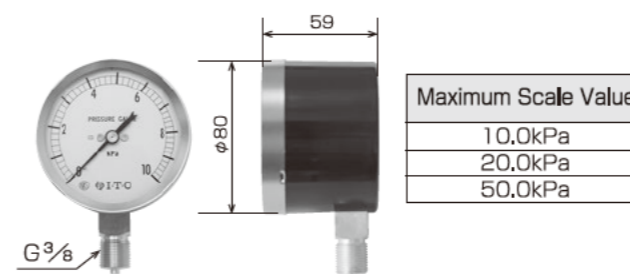
Female JIS POL

| Model | PC-106 | PC-112 | PC-115 |
|----------------|--------|--------|--------|
| Connection (a) | Rc 1/4 | Rc 3/8 | Rc 1/2 |

| Model | PC-206 | PC-212 | PC-215 |
|----------------|--------|--------|--------|
| Connection (b) | R 1/4 | R 3/8 | R 1/2 |

Pressure Gauges

· We offer pressure gauges in a wide range.



Cylinder Stands

- Increases the stability of cylinders on poor standings.
- Can be bolted to the ground or use stabilisers incorporated into the base.
- Available in a range of sizes for varying dimensions of cylinders.

