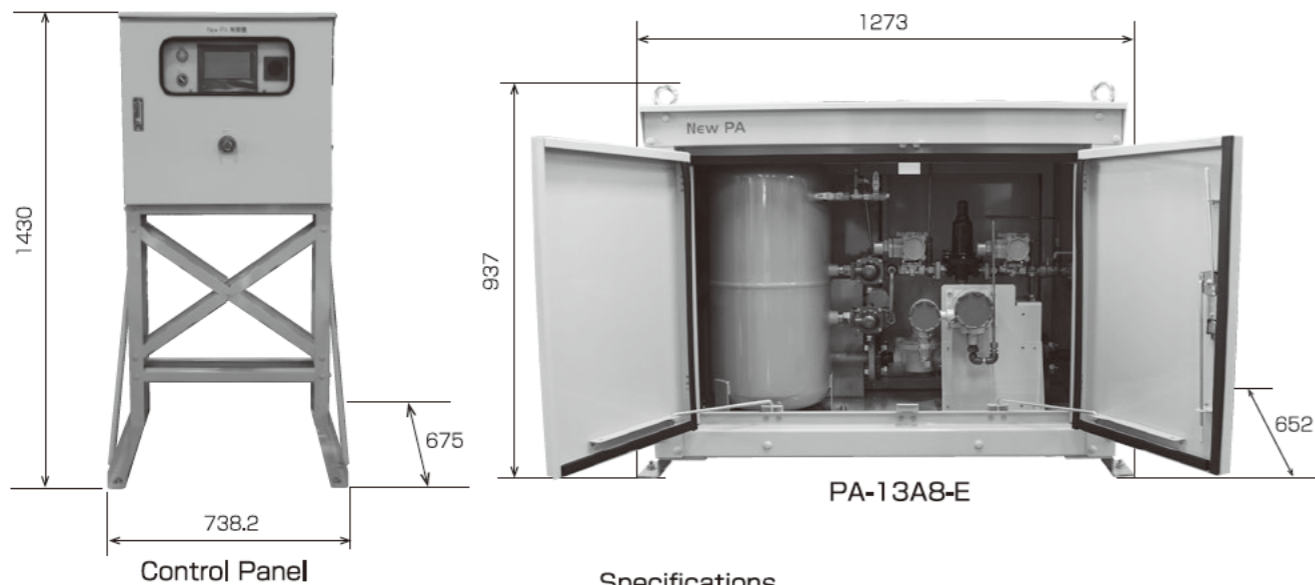


Propane Air Mixer—New PA Package

New PA Package

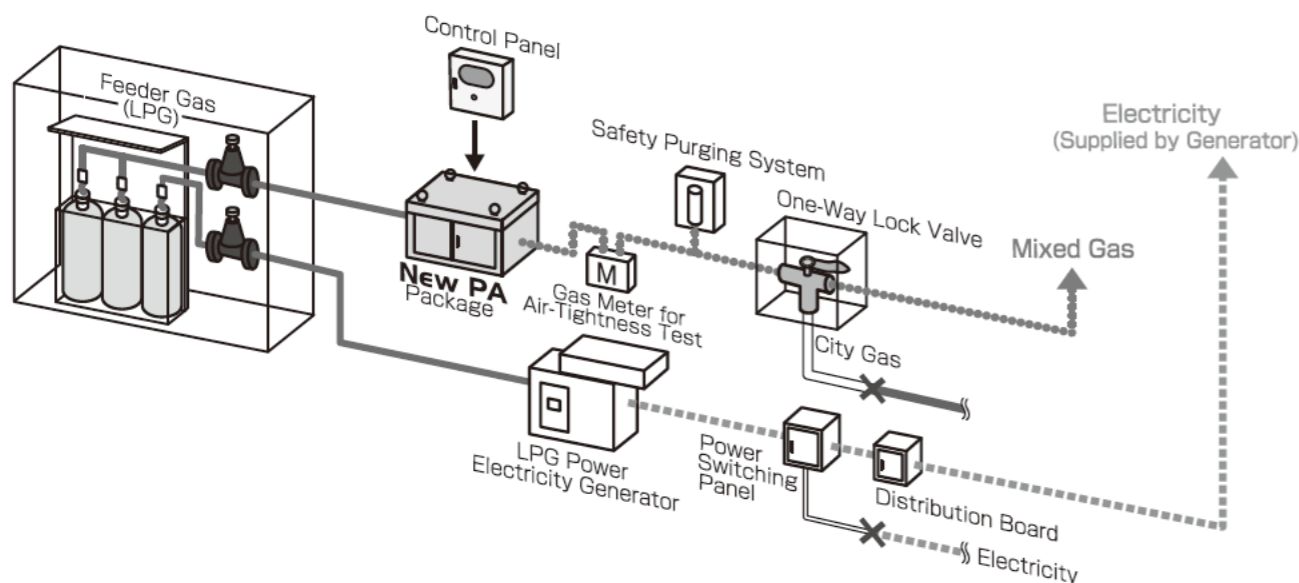
- This device temporarily supplies "City Gas"(Natural Gas) when emergencies shut down gas supply lines.
- Mixing propane with air to create a synthetic gas identical to city gas.
- Easy operation. Touch the screen to start-up with the audio guidance.
- For your safety and security, automatically performs gas leakage test.



Specifications

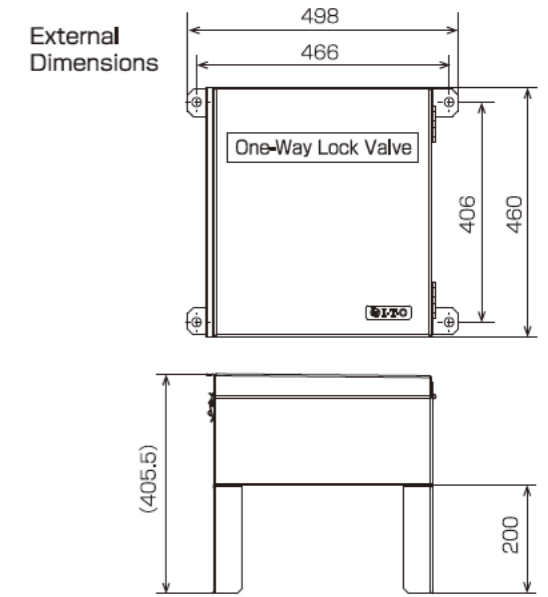
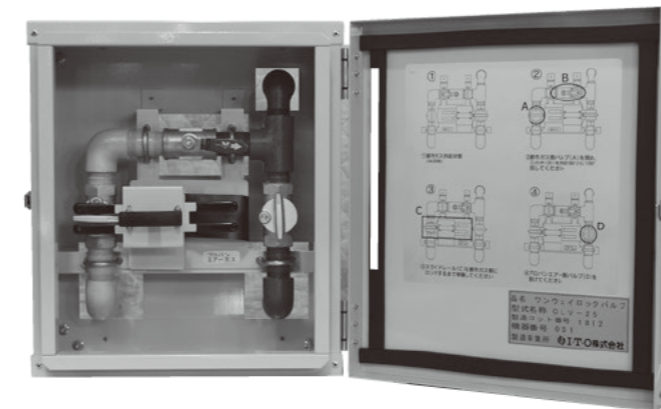
Capacity	8m ³ /h(normal) (139.6kW)
Feeder Gas	LPG containing 95% or more propane
Total Calorific Value of Mixed Gas	62.8MJ/m ³ (15000kcal)
Outlet Pressure (kPa)	1.50~2.50
Power Consumption (W)	40

Flow Chart



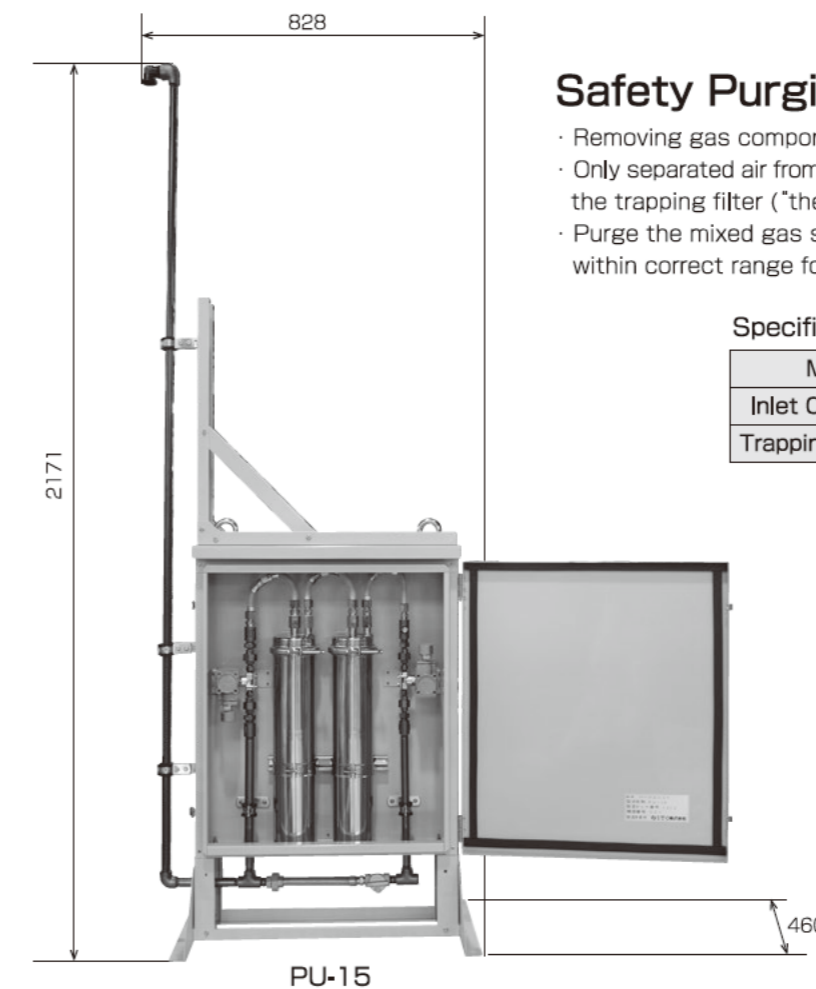
One-Way Lock Valve

- It switches gas supply from city gas sourced to mixed gas by the New PA.
- "One-way lock valve" system prevents improper valve operation occurring.
- A locking panel fixes a valve in closed status should another valve be opened at the same time.



Specifications

Model	OLV-25
Connection	Rc 1
Anchor Bolt Diameter	φ17mm
Installation Method	Floor Mounted



Safety Purging System

- Removing gas component and odorant from the mixed gas.
- Only separated air from the mixed gas released to the atmosphere, though the trapping filter ("the Column").
- Purge the mixed gas safely to the atmosphere, to keep the gas density within correct range for the internal piping of the New PA.

Specifications

Model	PU-15
Inlet Connection	Rc 1/2
Trapping Capability	25A×20m (Propane Air Mixed Gas)